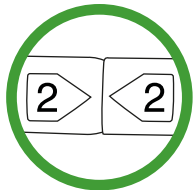
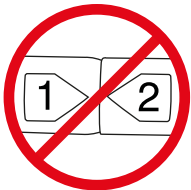
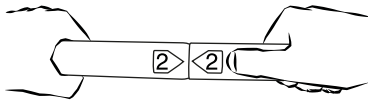
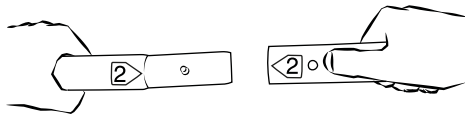
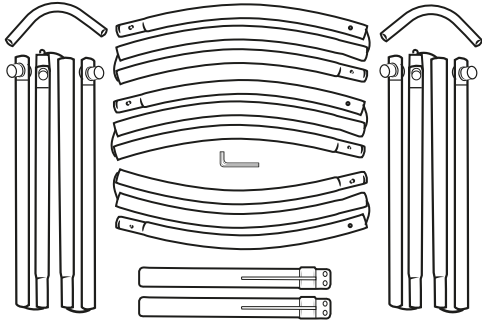
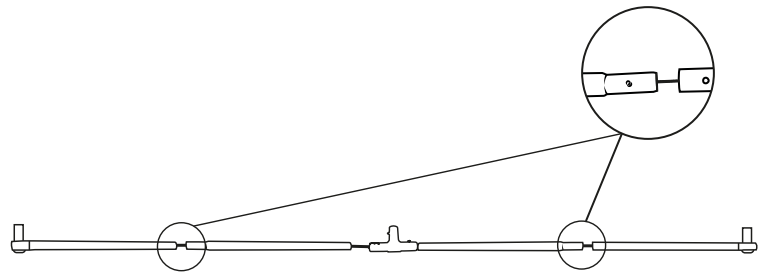


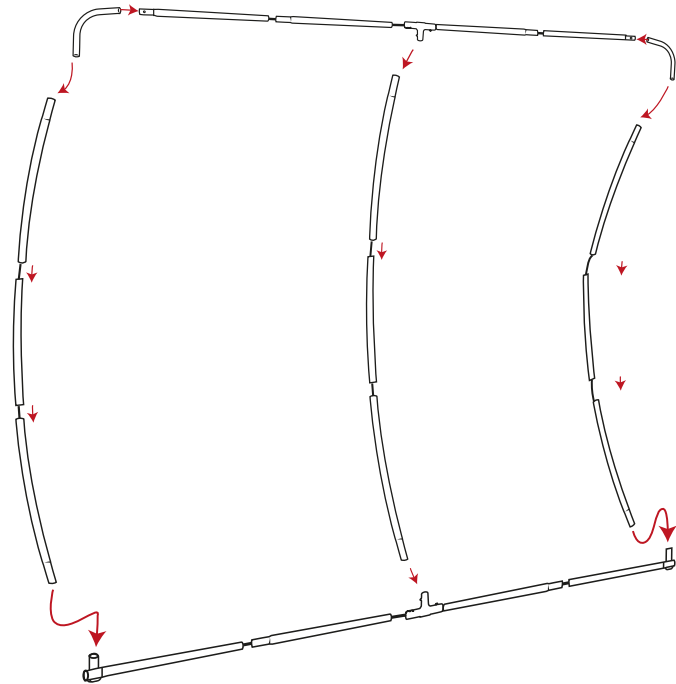
Assembling Frame



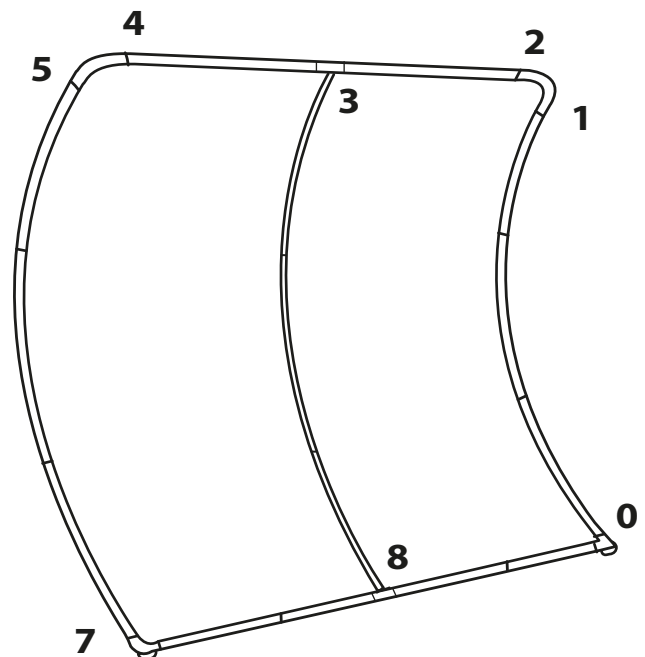
1



2

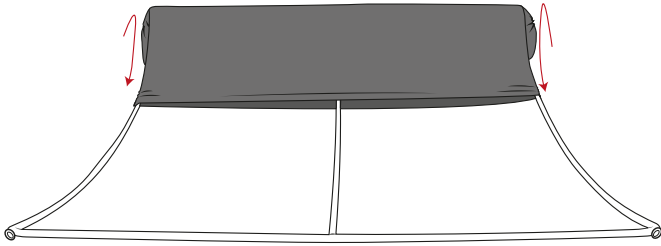


3

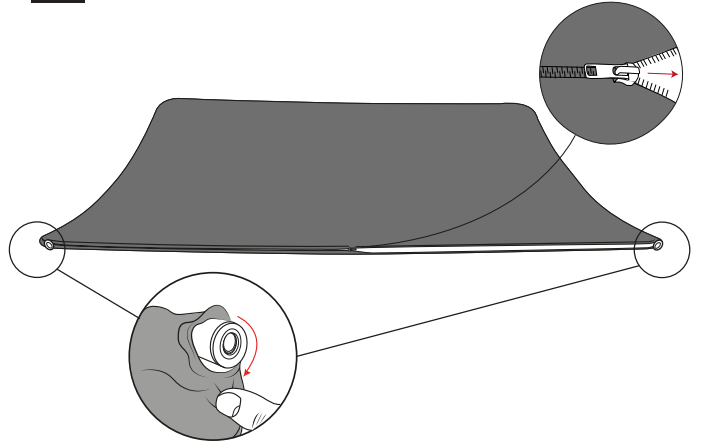


Attaching Graphic

1

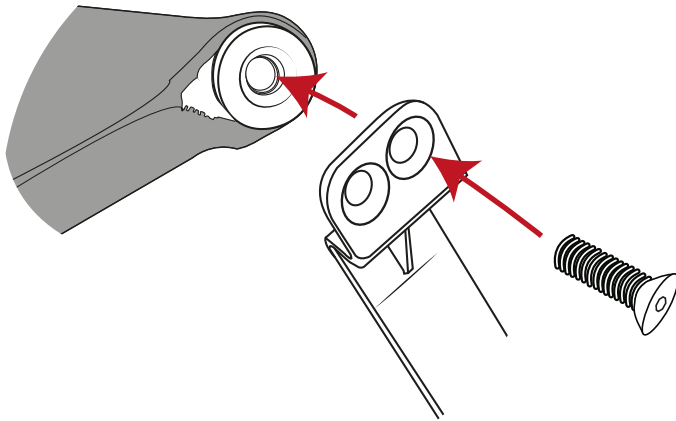


2

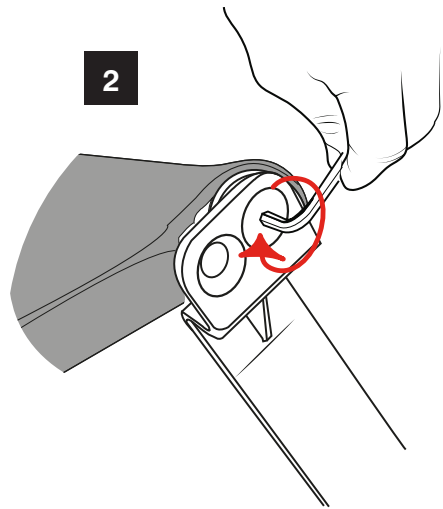


Attaching Feet

1



2



Note: Repeat process for second foot

3

