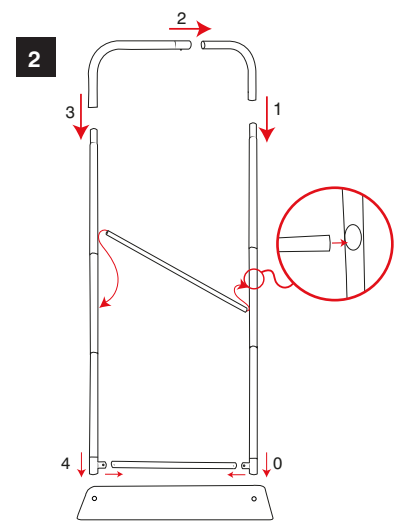
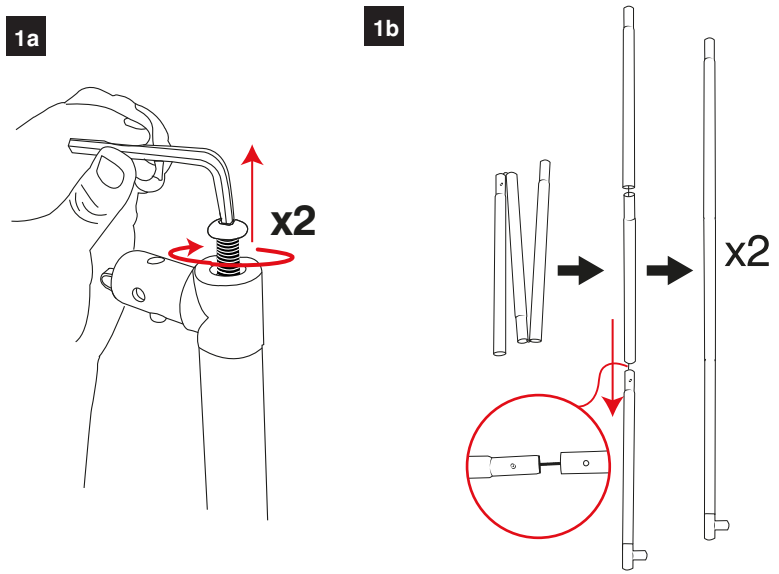
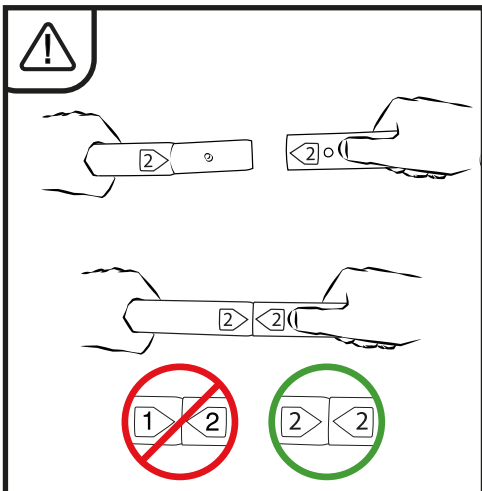
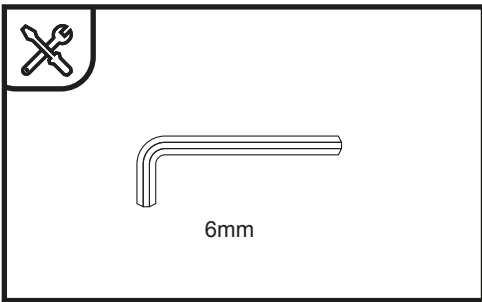
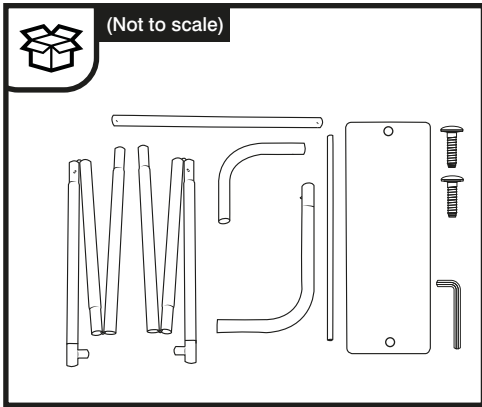
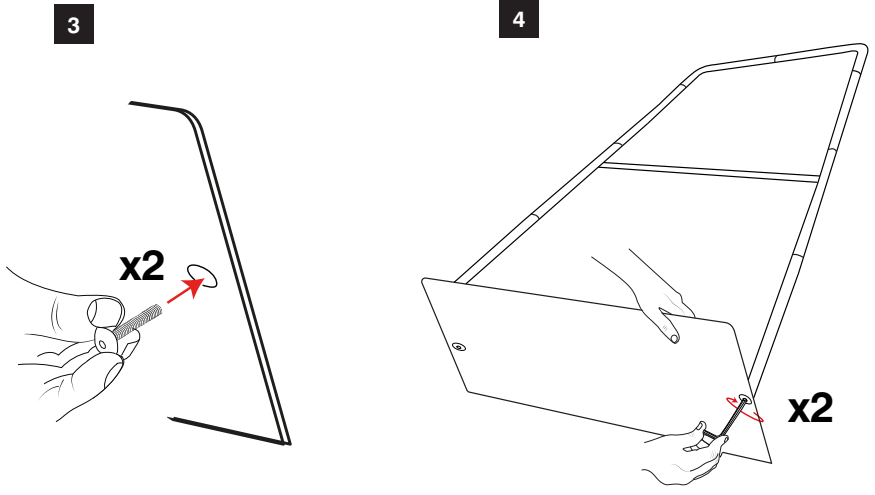


# Tension Banners Formulate Monolith 600mm

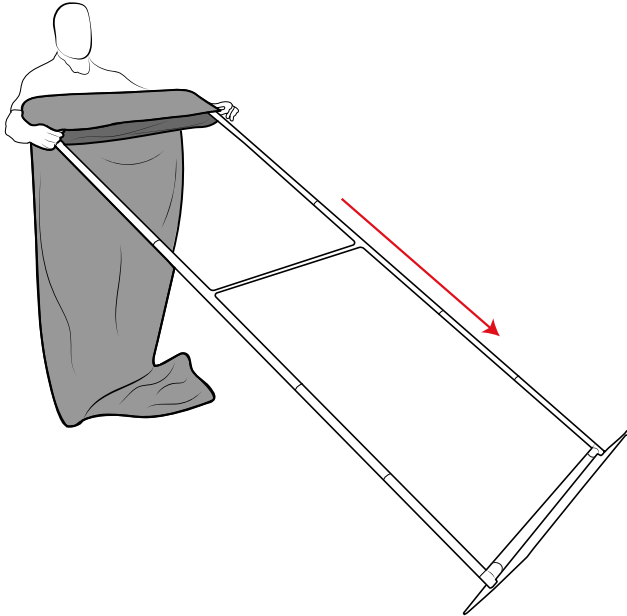


**NOTE: FOR ZIPPED VERSION REFER TO STEP 5B-THEN CONTINUE TO ATTACH BASE AS PER STEPS 3 & 4**



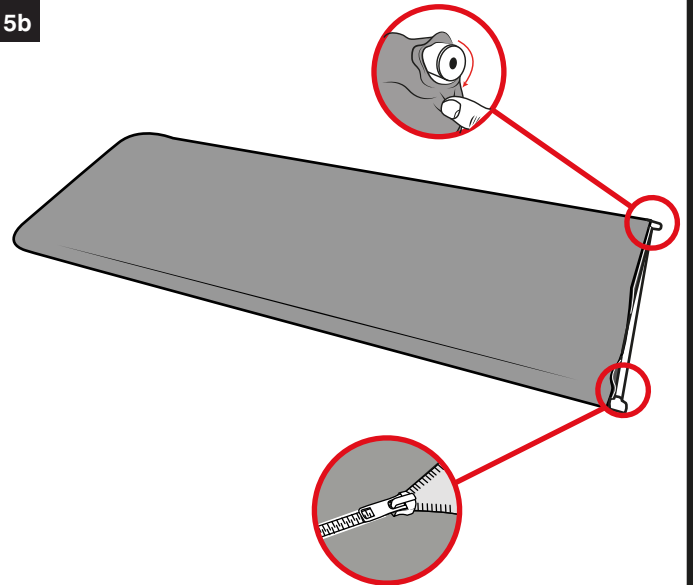


5a

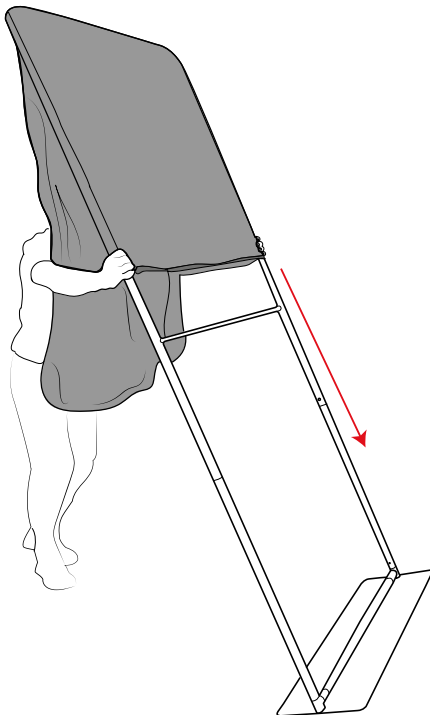


**NOTE: FOR ZIPPED VERSION, GRAPHIC MUST BE ATTACHED BEFORE ATTACHING BASE**

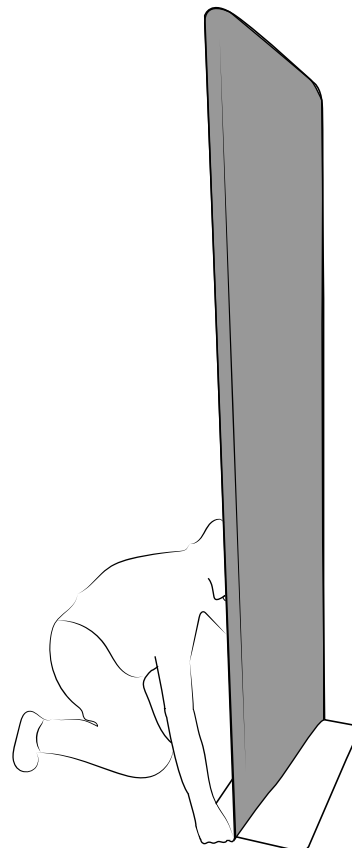
5b



6

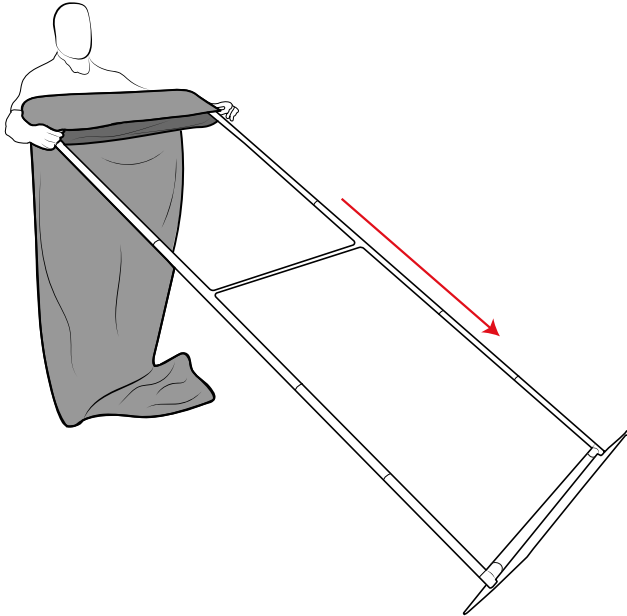


7



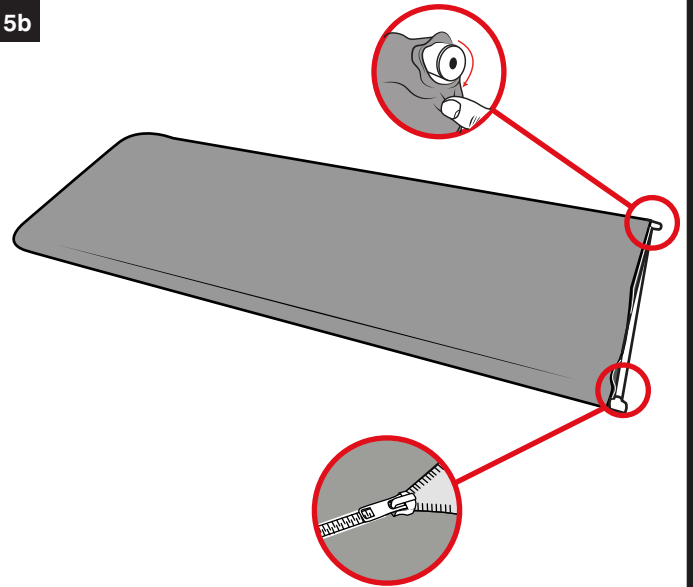


5a

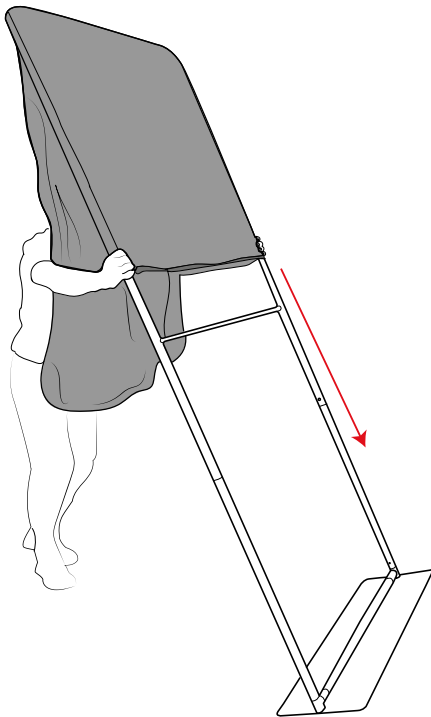


**NOTE: FOR ZIPPED VERSION, GRAPHIC MUST BE ATTACHED BEFORE ATTACHING BASE**

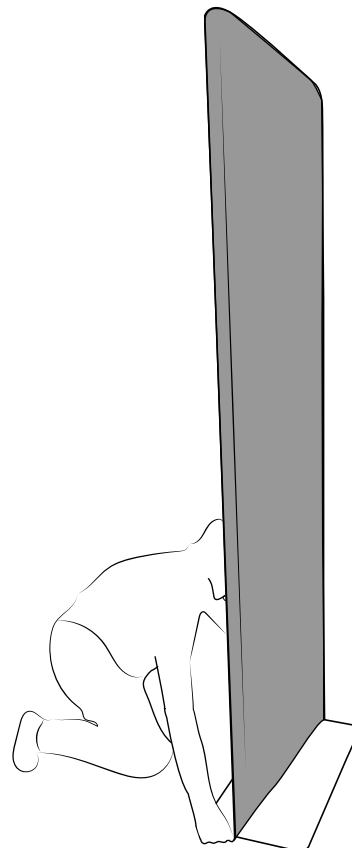
5b



6

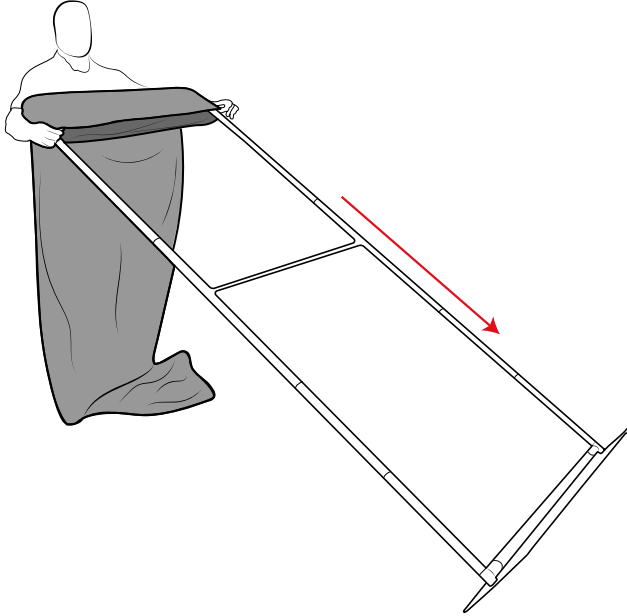


7



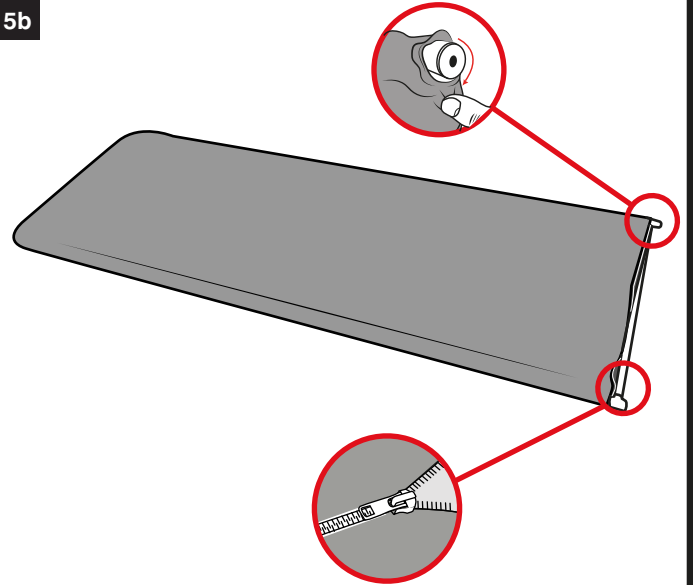


5a

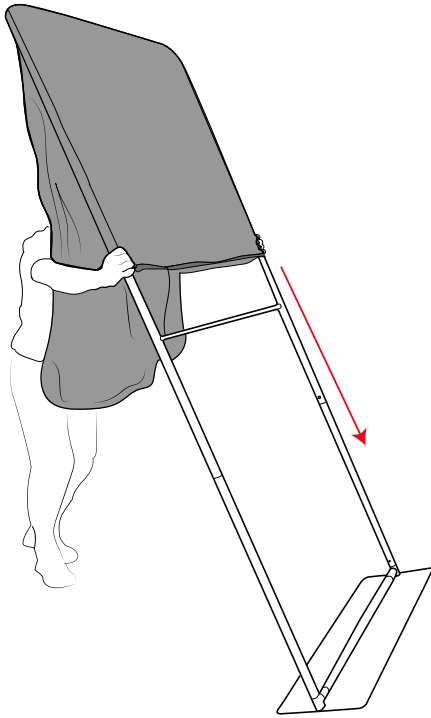


**NOTE: FOR ZIPPED VERSION, GRAPHIC MUST BE ATTACHED BEFORE ATTACHING BASE**

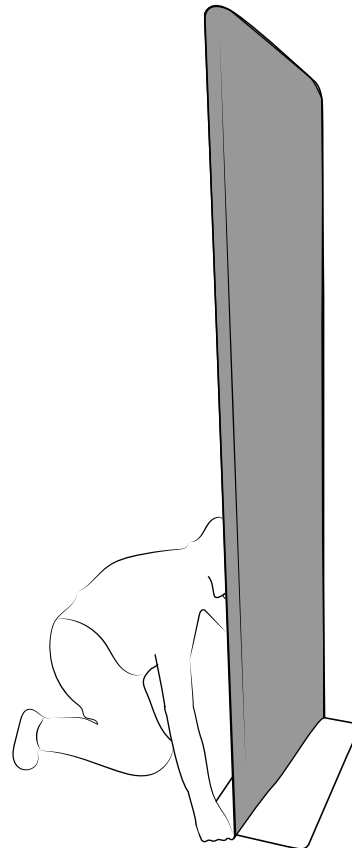
5b



6

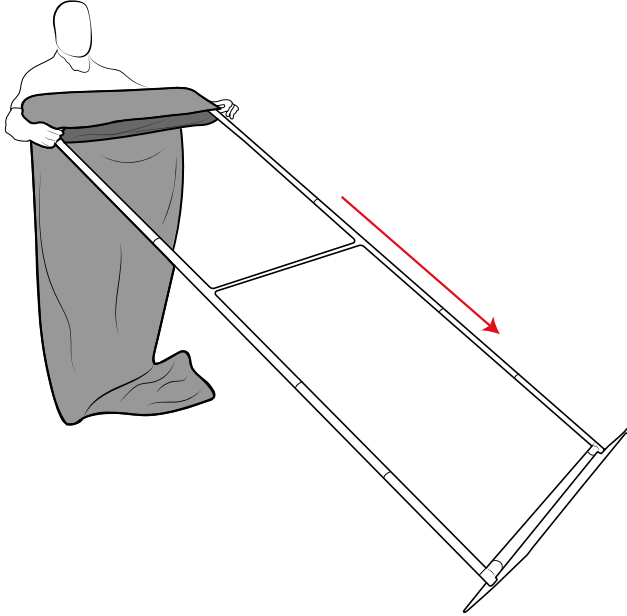


7



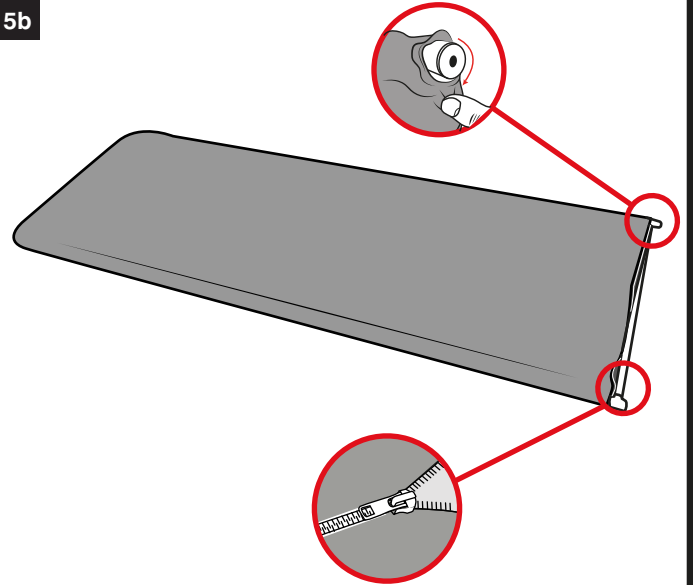


5a

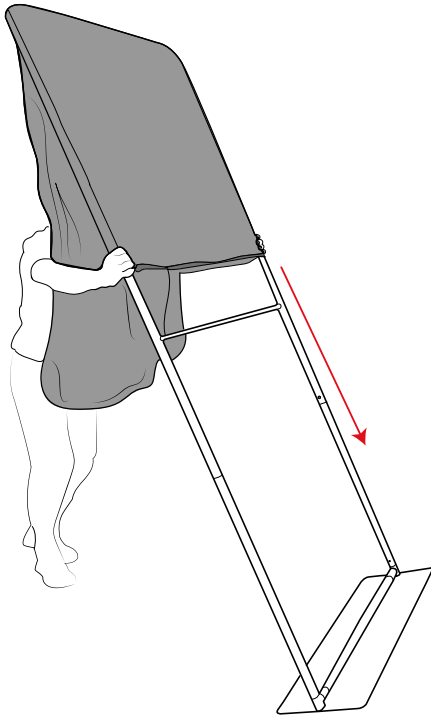


**NOTE: FOR ZIPPED VERSION, GRAPHIC MUST BE ATTACHED BEFORE ATTACHING BASE**

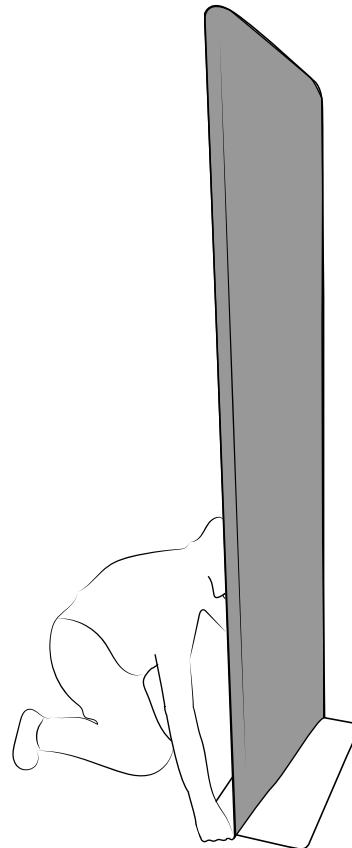
5b



6

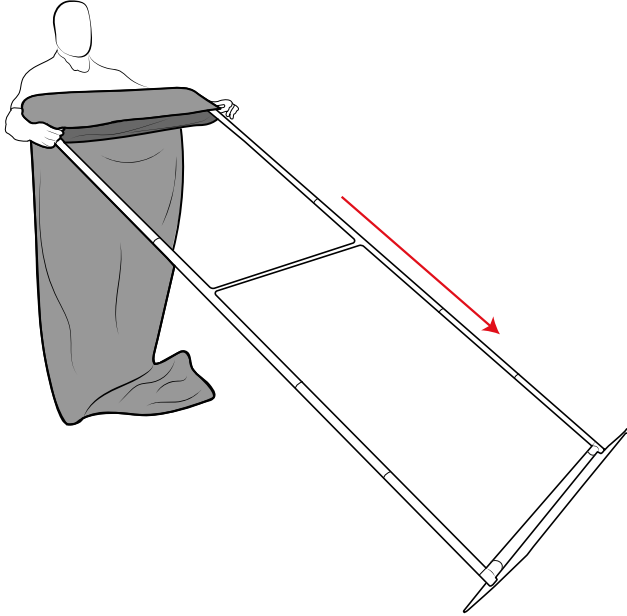


7



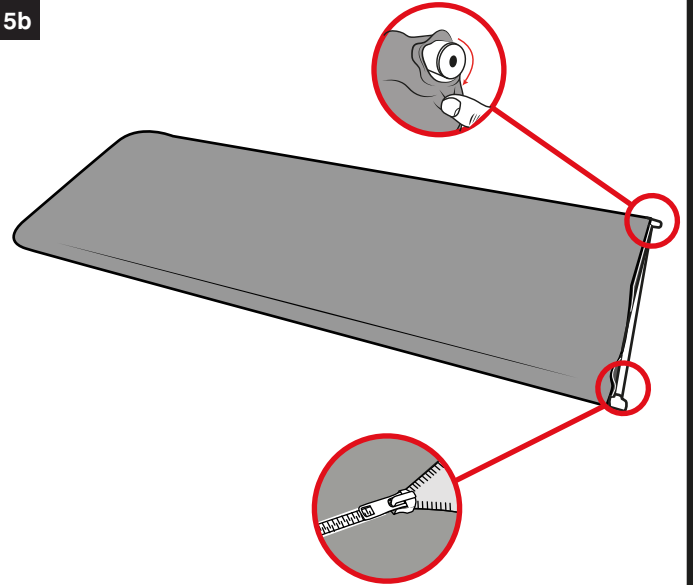


5a

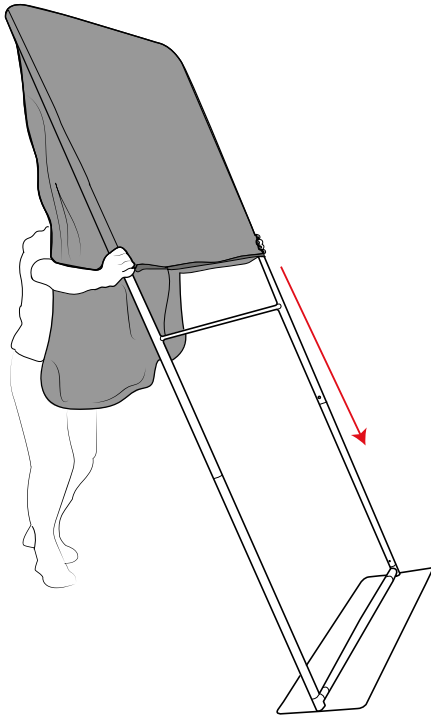


**NOTE: FOR ZIPPED VERSION, GRAPHIC MUST BE ATTACHED BEFORE ATTACHING BASE**

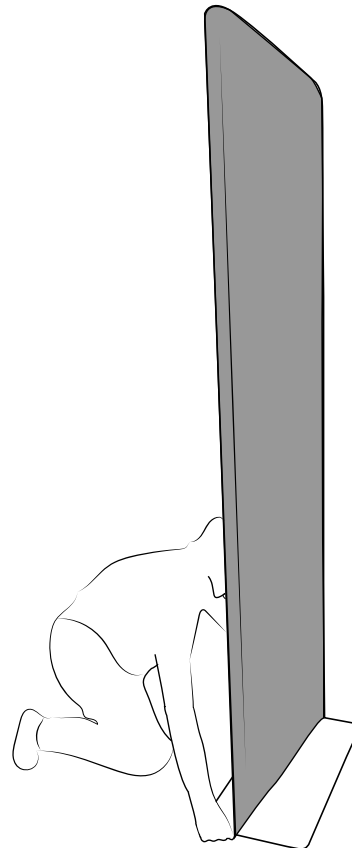
5b

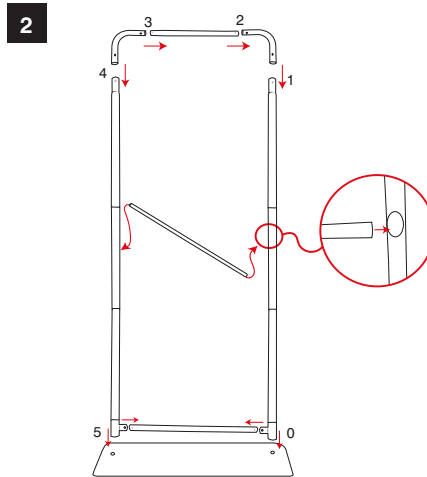
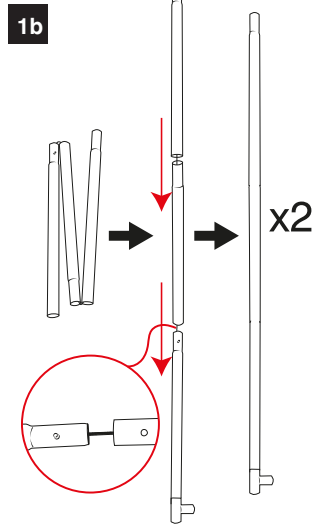
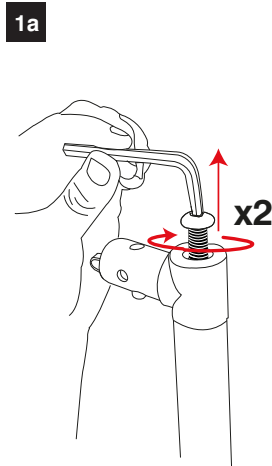
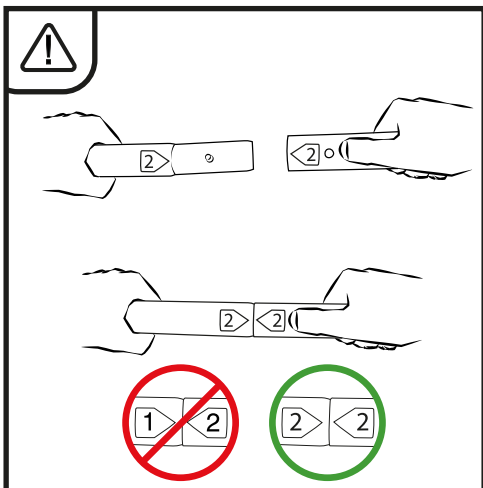
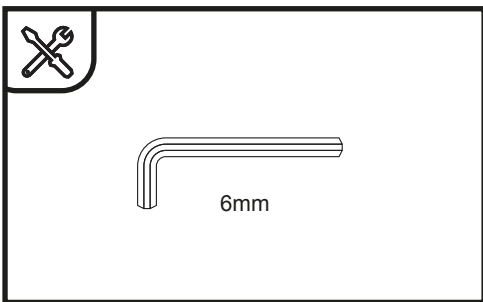
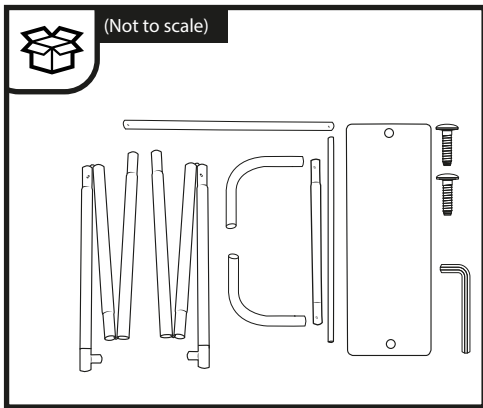


6

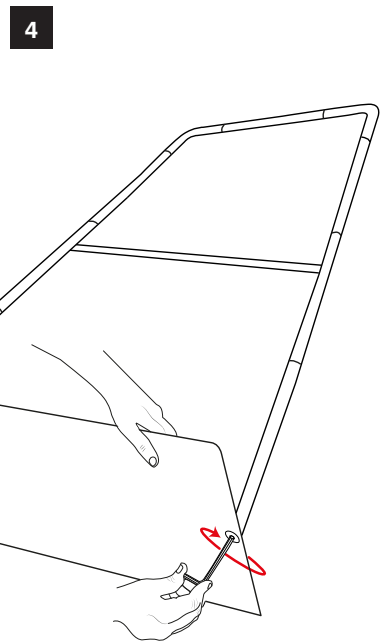
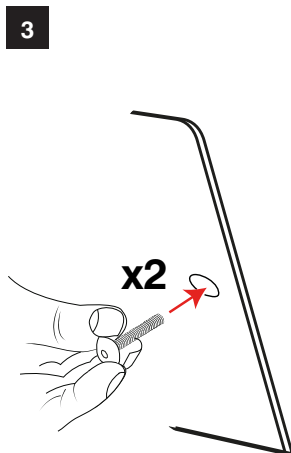


7



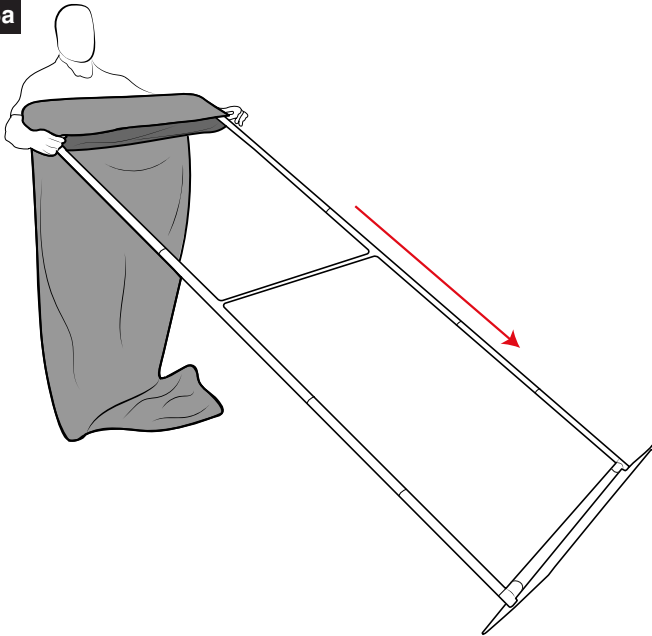


**NOTE: FOR ZIPPED VERSION REFER TO STEP 5B-THEN CONTINUE TO ATTACH BASE AS PER STEPS 3 & 4**



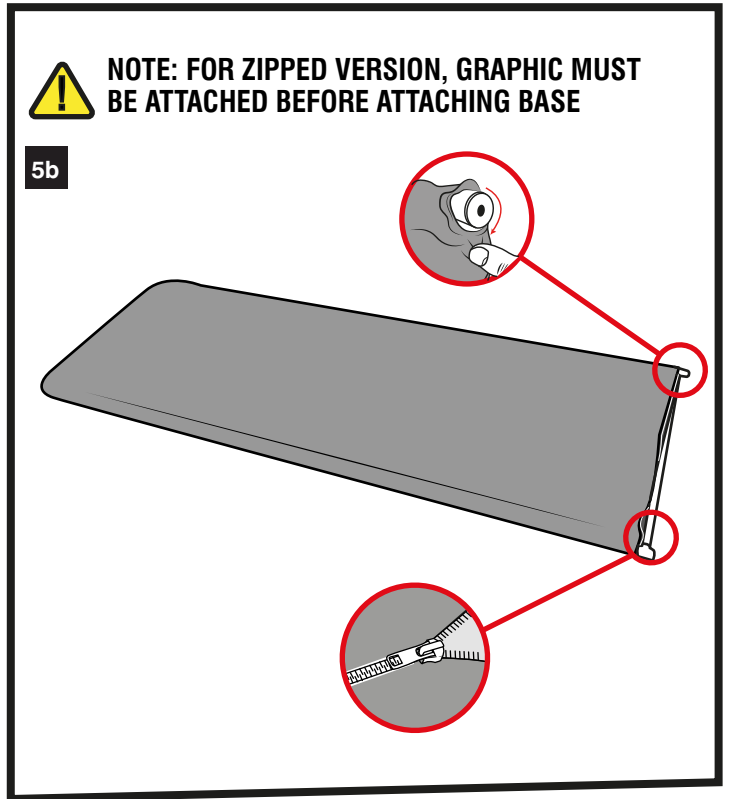


5a

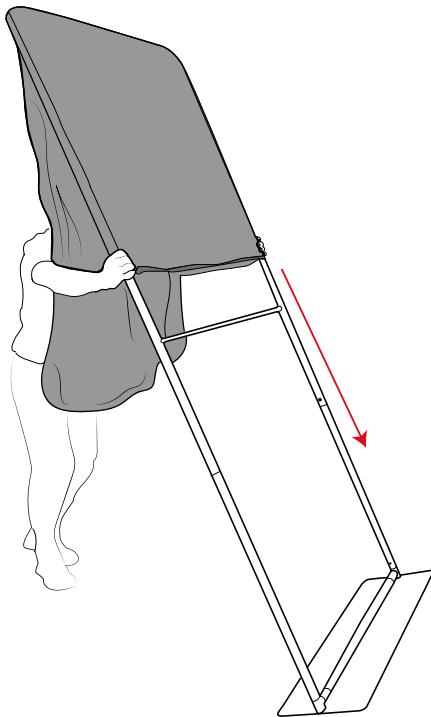


**NOTE: FOR ZIPPED VERSION, GRAPHIC MUST BE ATTACHED BEFORE ATTACHING BASE**

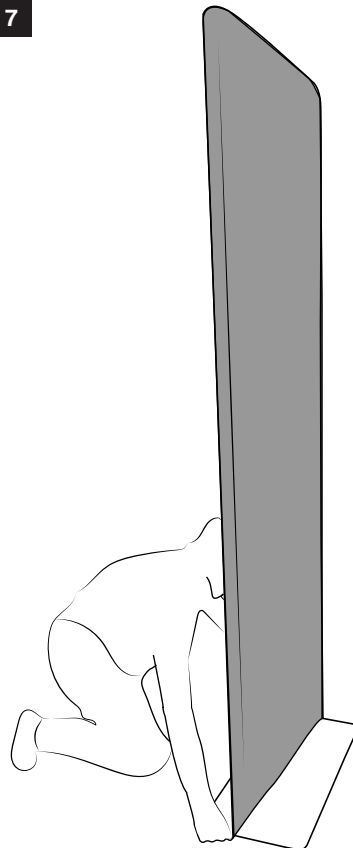
5b



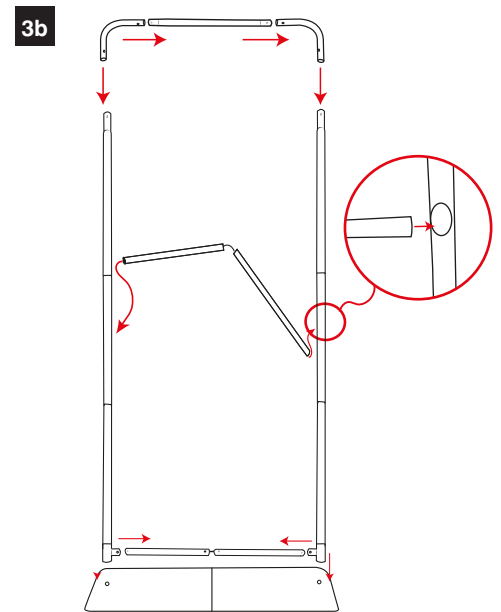
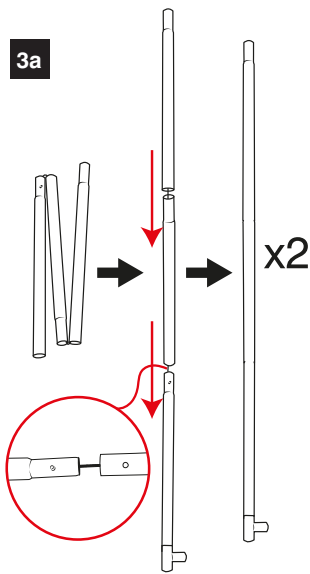
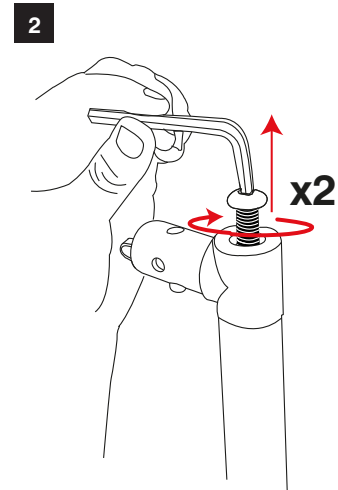
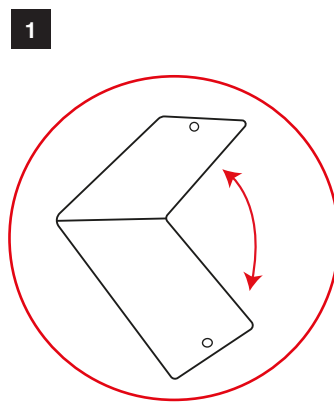
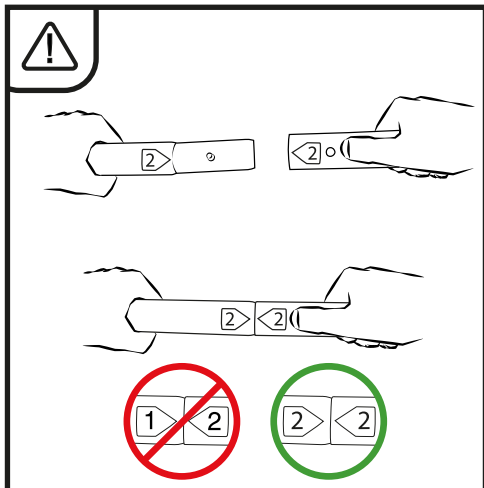
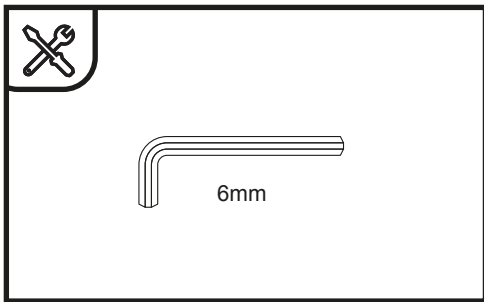
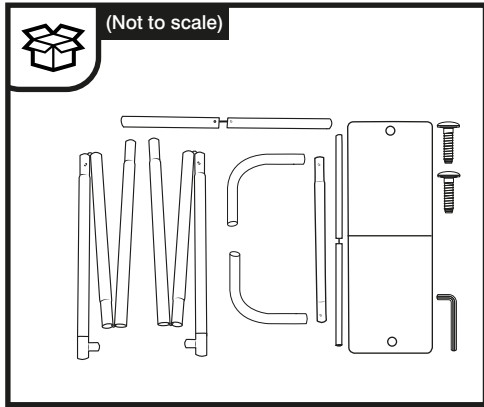
6



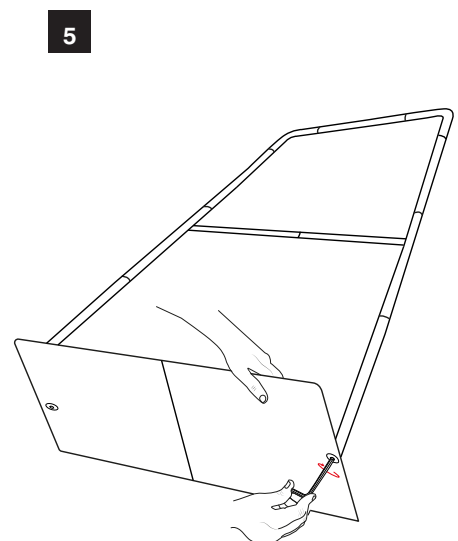
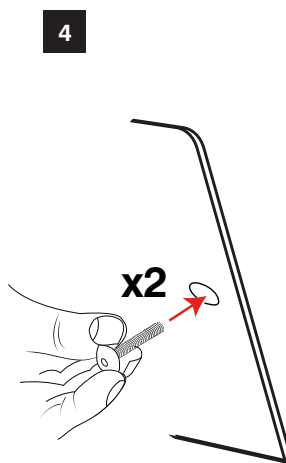
7





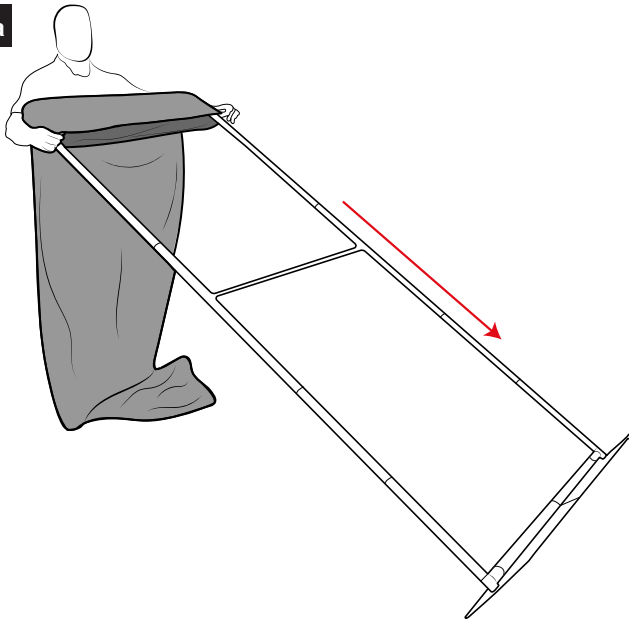


**NOTE: FOR ZIPPED VERSION REFER TO STEP 6B - THEN CONTINUE TO ATTACH BASE AS PER STEPS 4 & 5**



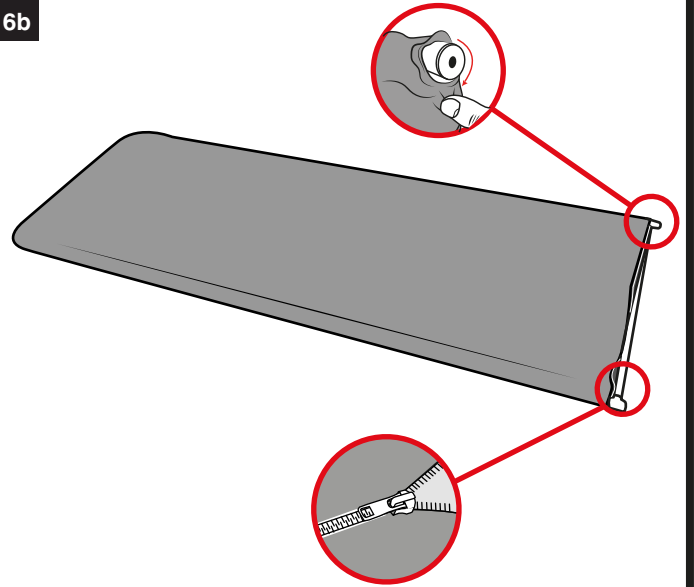


6a

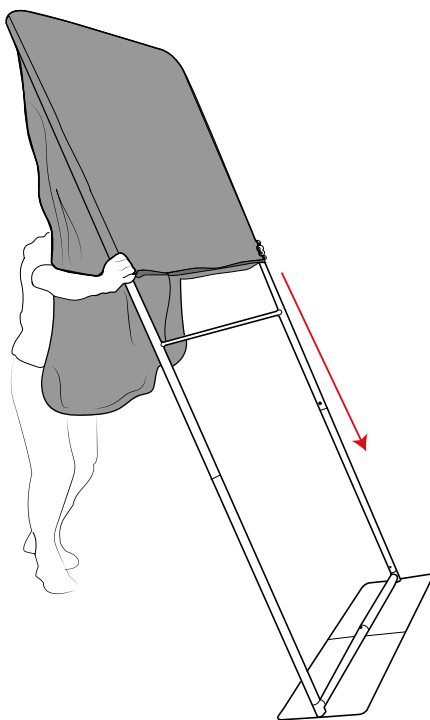


**NOTE: FOR ZIPPED VERSION, GRAPHIC MUST BE ATTACHED BEFORE ATTACHING BASE**

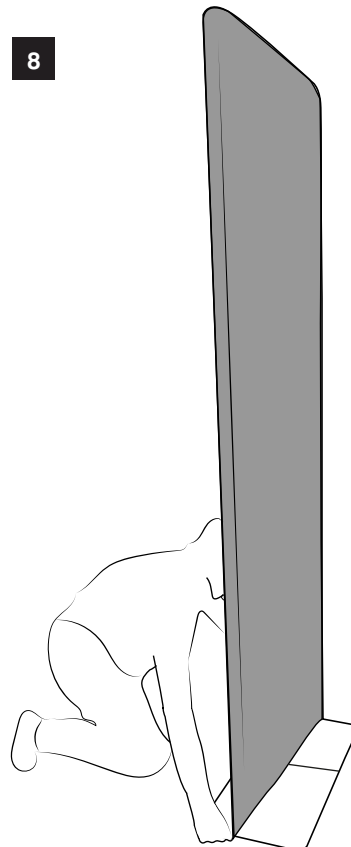
6b

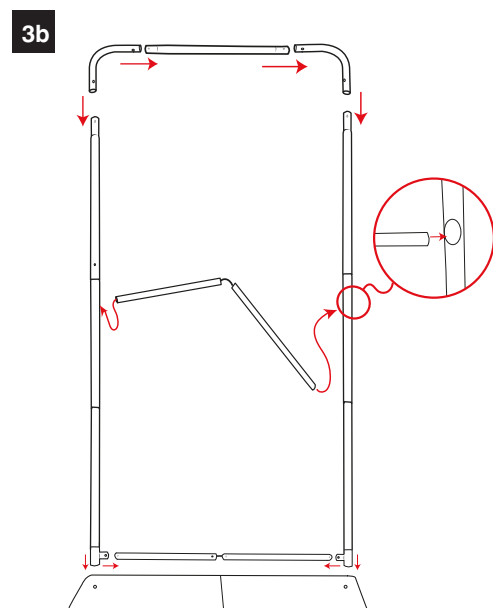
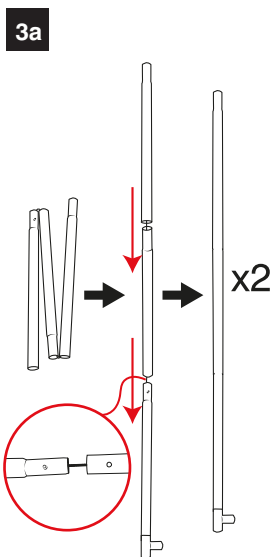
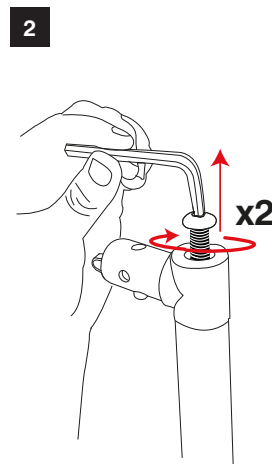
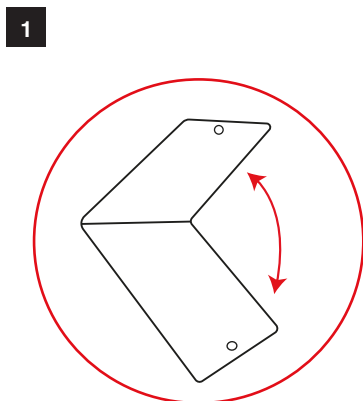
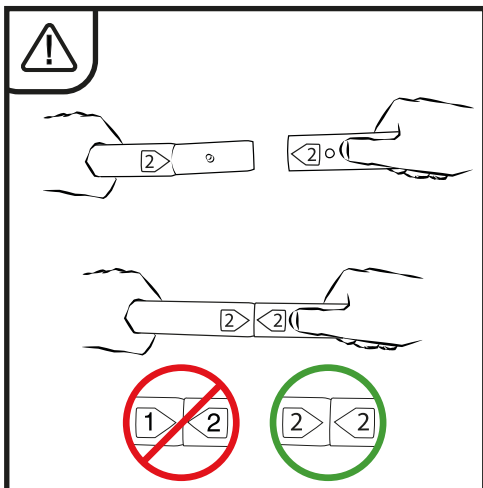
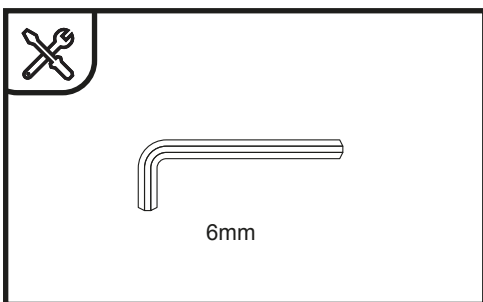
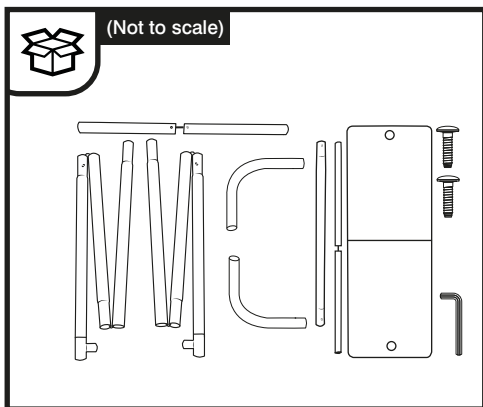


7

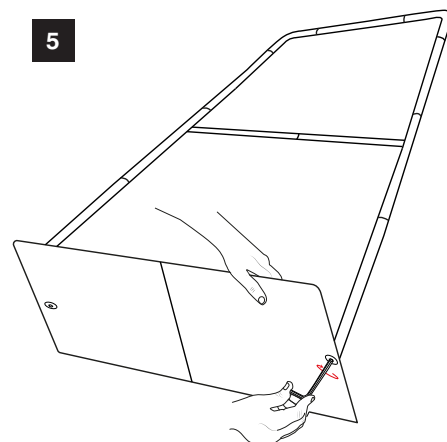
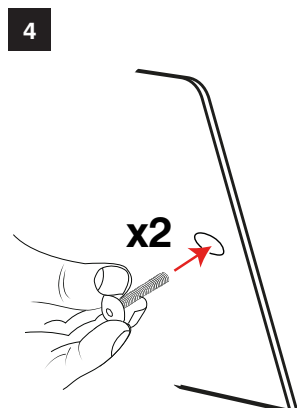


8



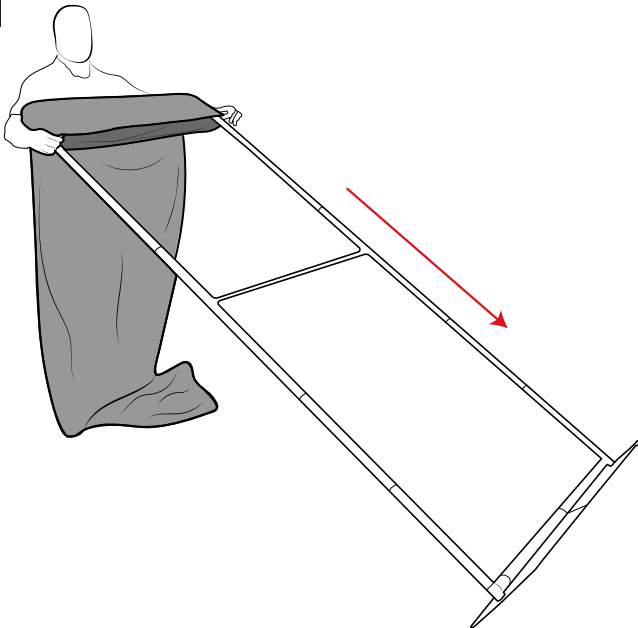


**NOTE: FOR ZIPPED VERSION REFER TO STEP 6B - THEN CONTINUE TO ATTACH BASE AS PER STEPS 4 & 5**



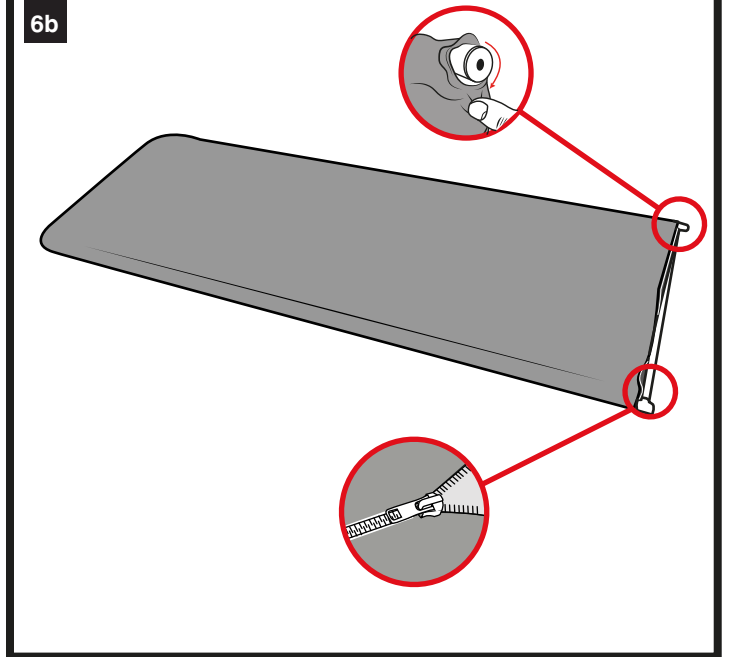


6a

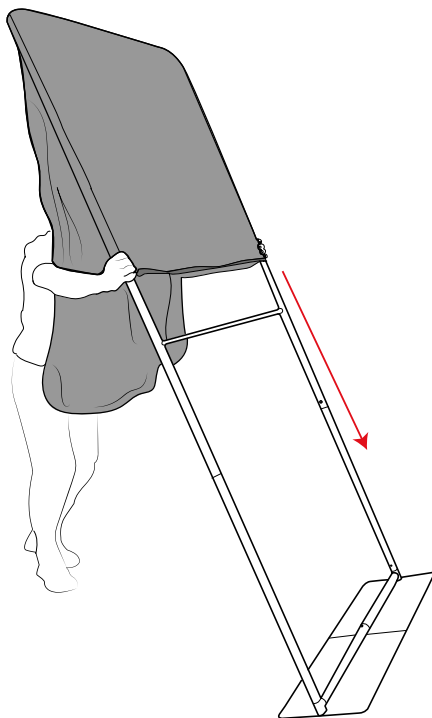


**NOTE: FOR ZIPPED VERSION, GRAPHIC MUST BE ATTACHED BEFORE ATTACHING BASE**

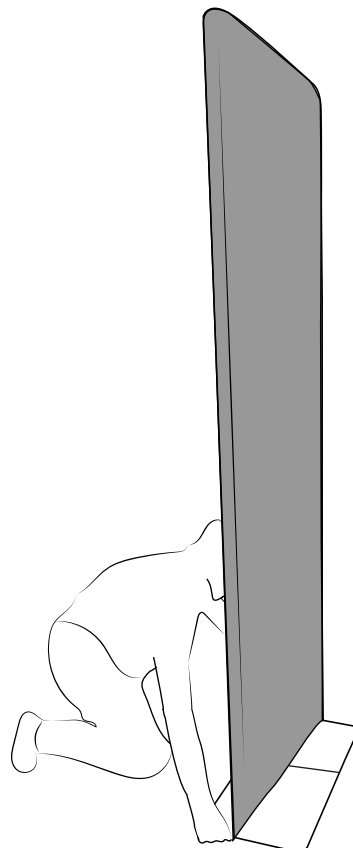
6b

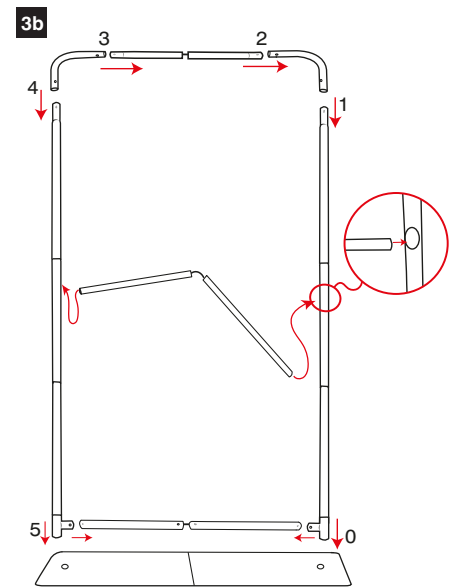
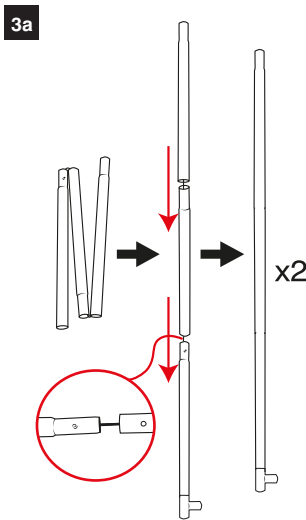
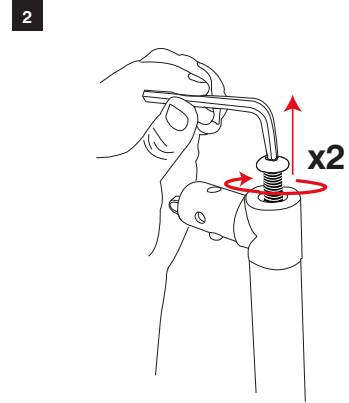
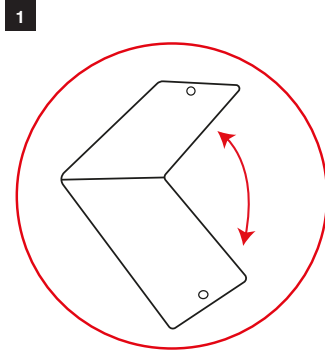
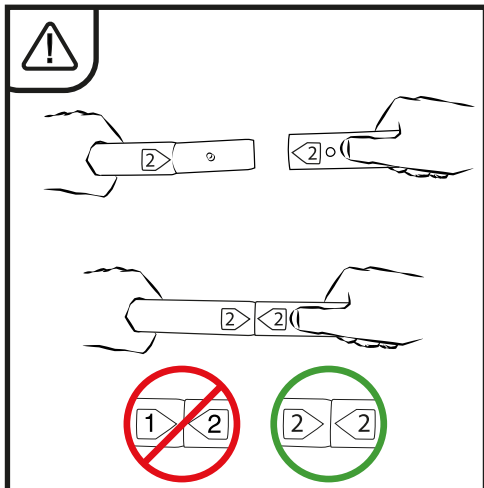
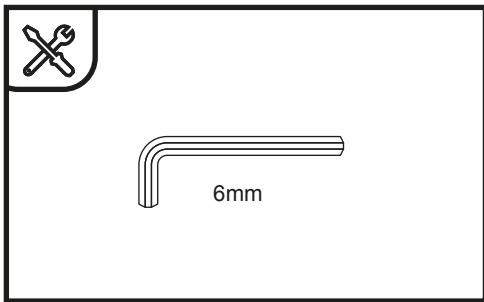
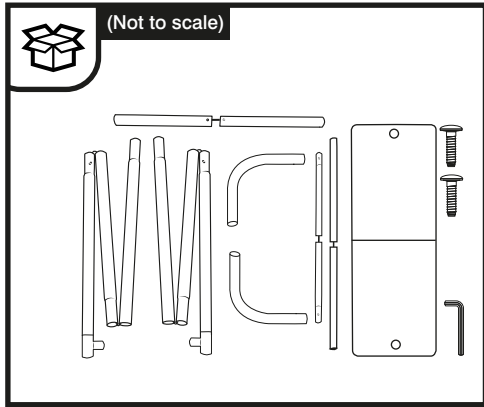


7

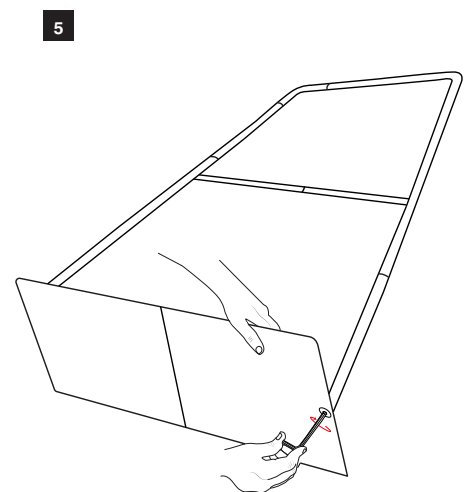
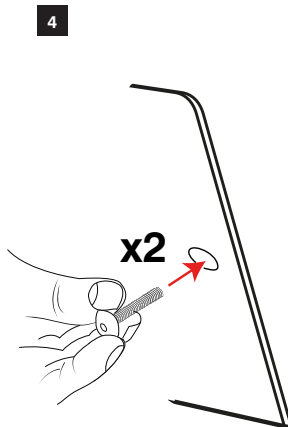


8



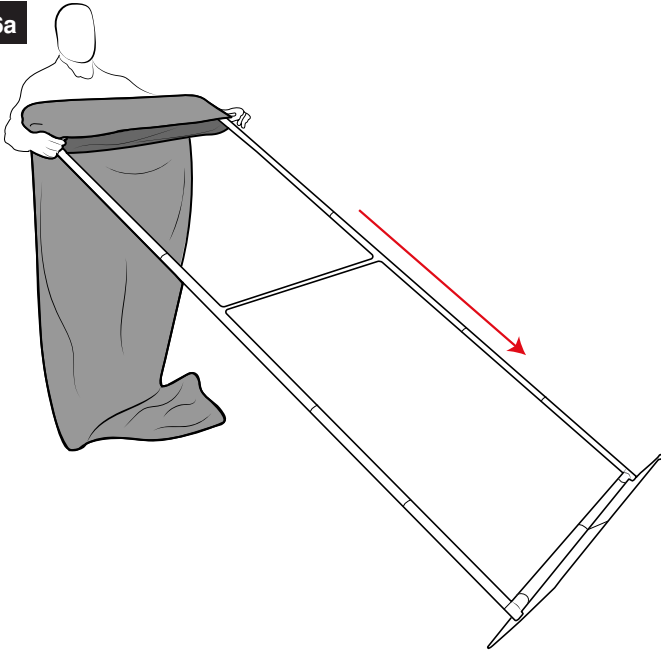


**NOTE: FOR ZIPPED VERSION REFER TO STEP 6B - THEN CONTINUE TO ATTACH BASE AS PER STEPS 4 & 5**



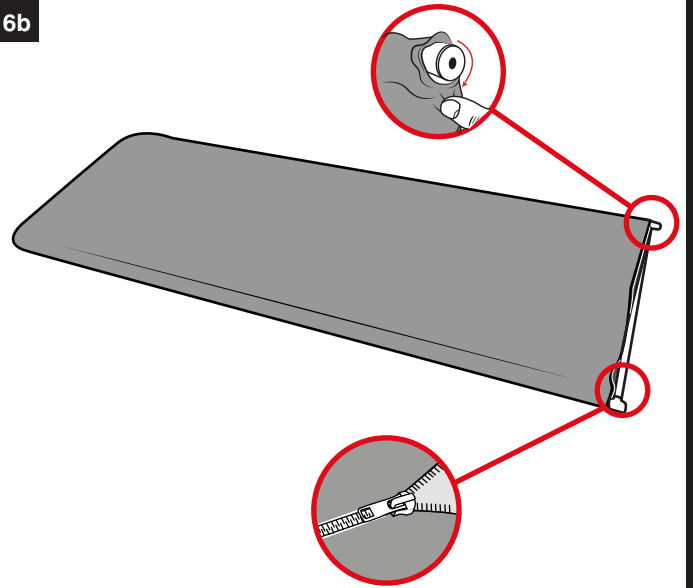


6a

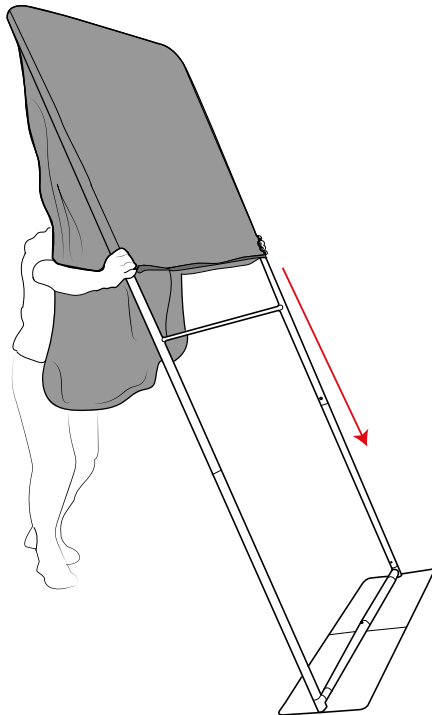


**NOTE: FOR ZIPPED VERSION, GRAPHIC MUST BE ATTACHED BEFORE ATTACHING BASE**

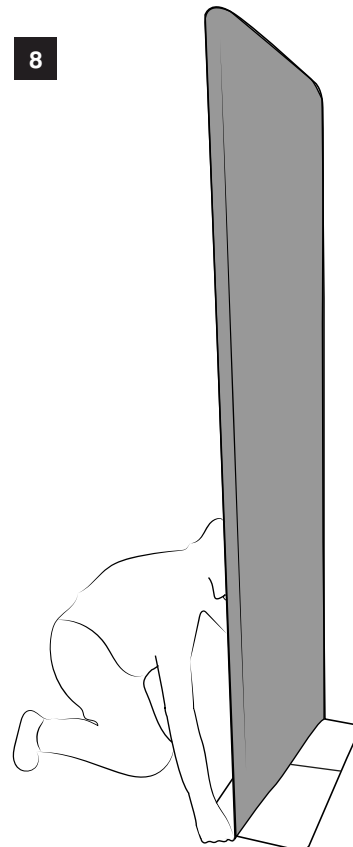
6b



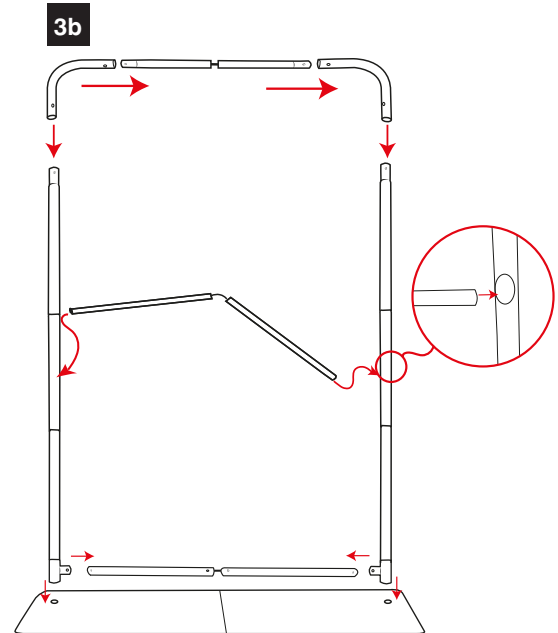
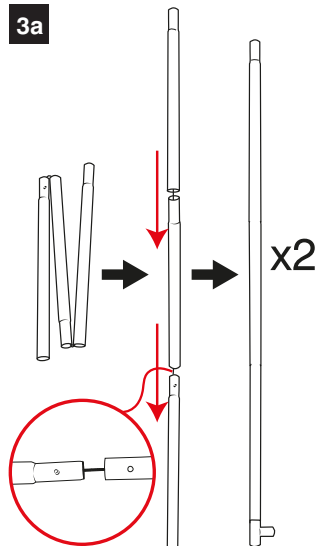
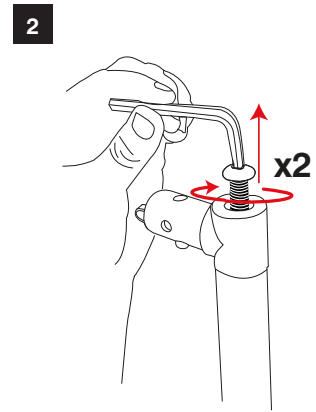
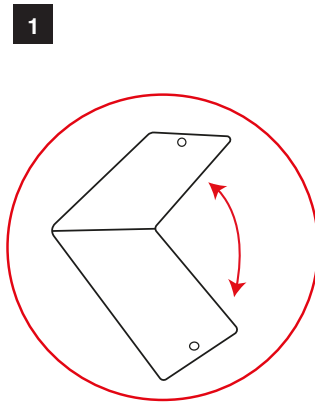
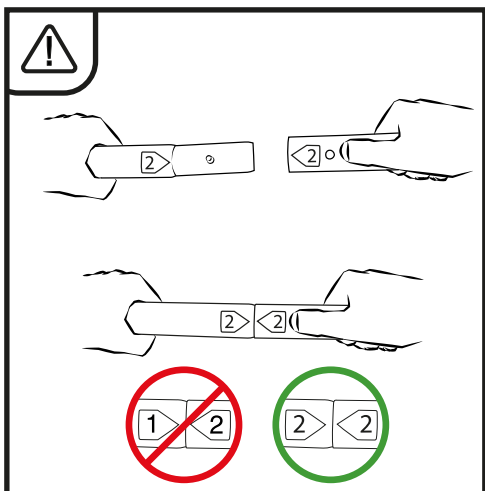
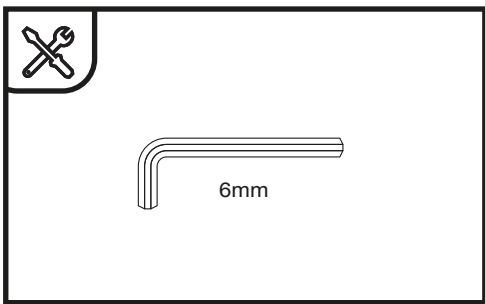
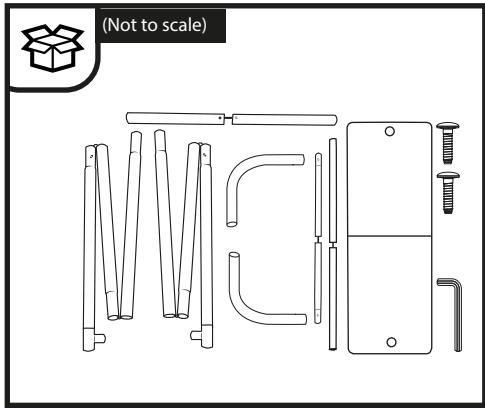
7



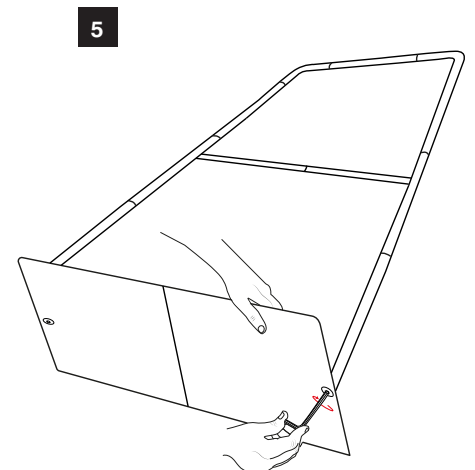
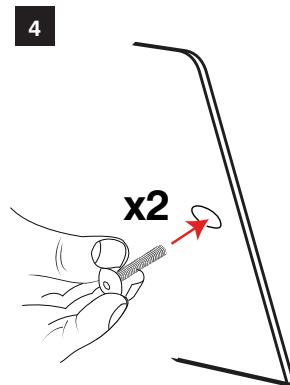
8



# Tension Banners Formulate Monolith 1500mm

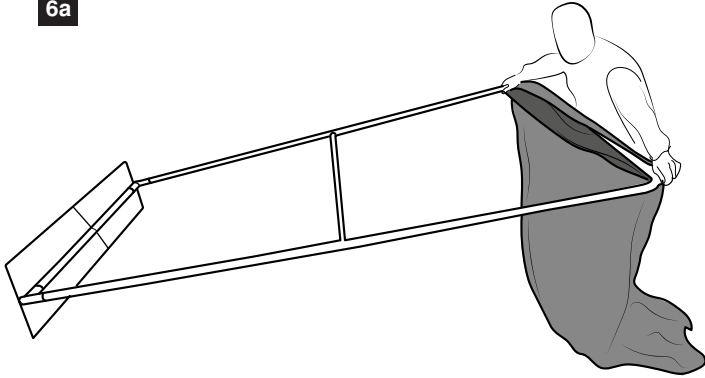


**NOTE: FOR ZIPPED VERSION REFER TO STEP 6B - THEN CONTINUE TO ATTACH BASE AS PER STEPS 4 & 5**



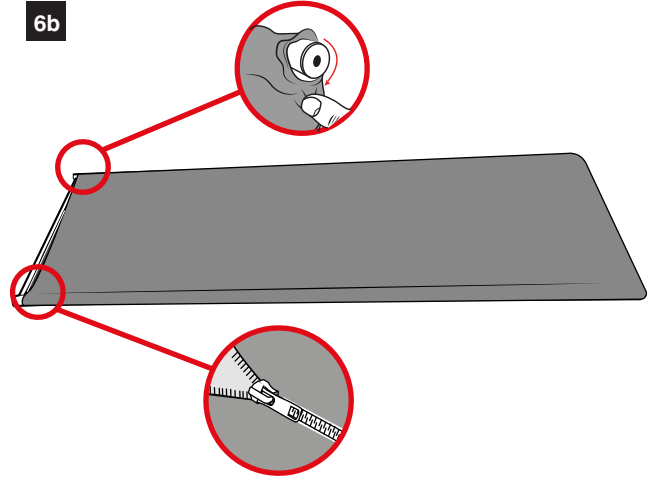


6a

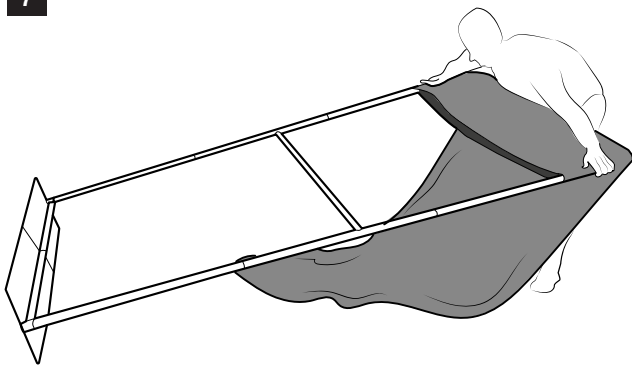


**NOTE: FOR ZIPPED VERSION, GRAPHIC MUST BE ATTACHED BEFORE ATTACHING BASE**

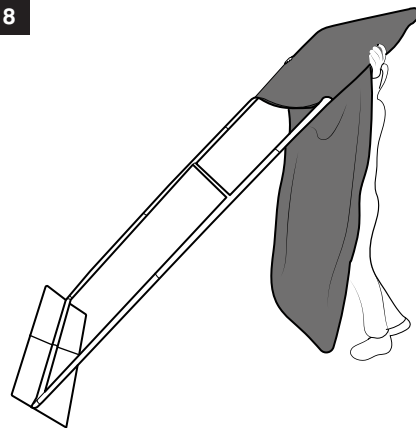
6b



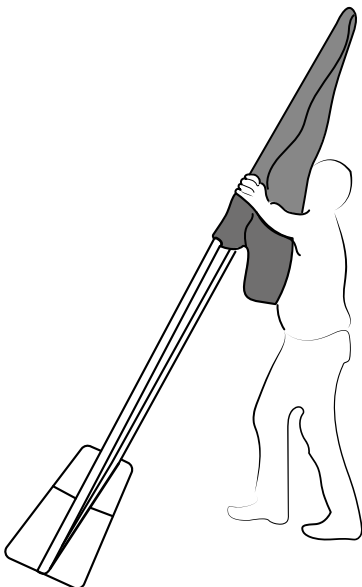
7



8



9



10

