
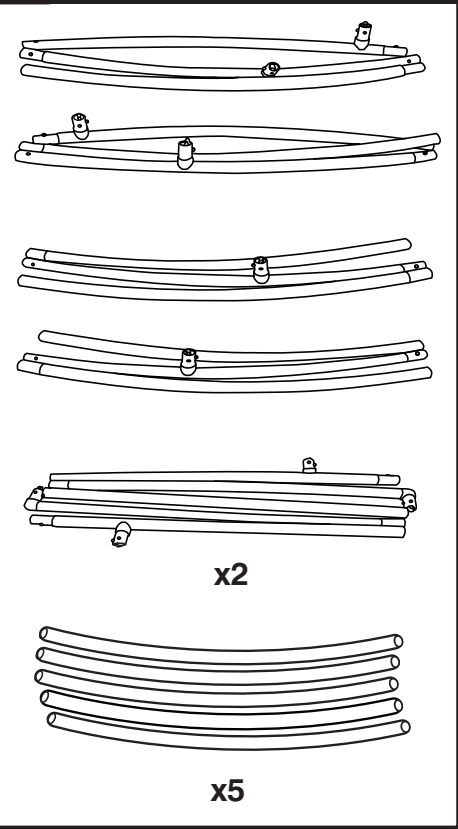


Modular Displays
Formulate Arch



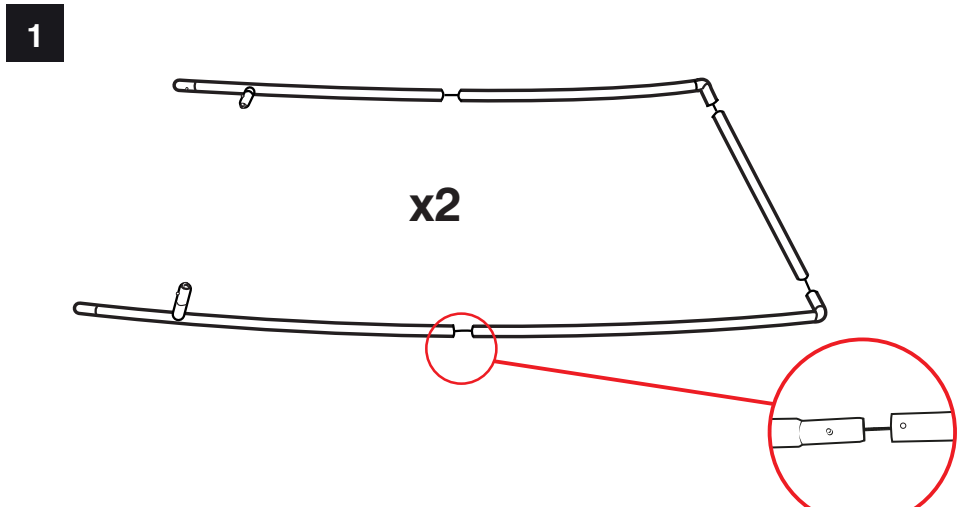
 **PARTS (NOT TO SCALE)**



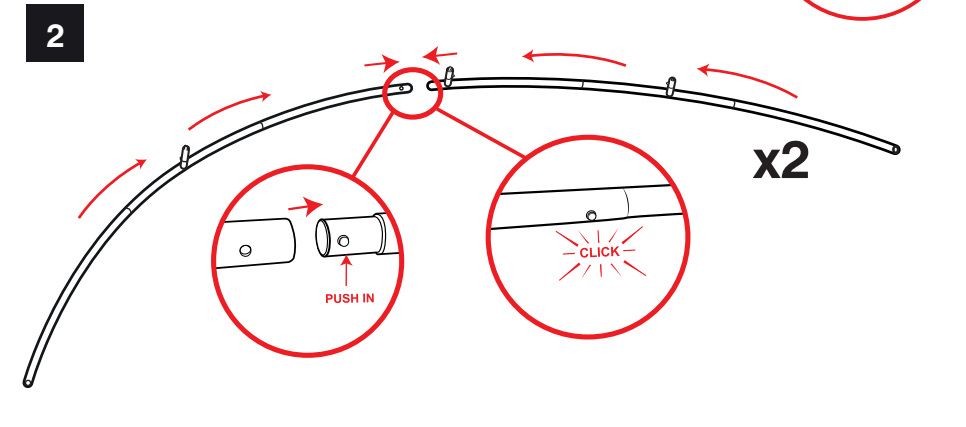
x2

x5

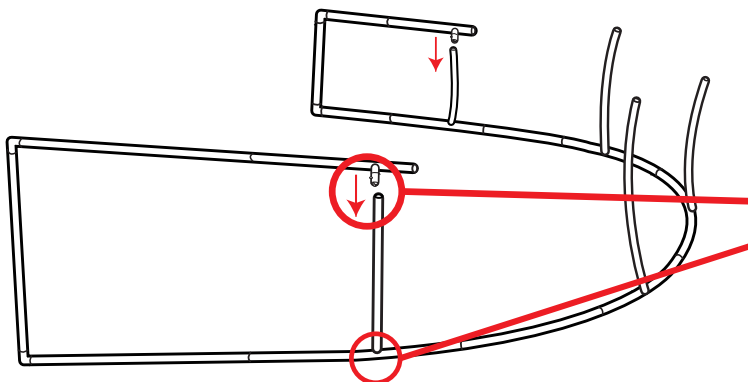
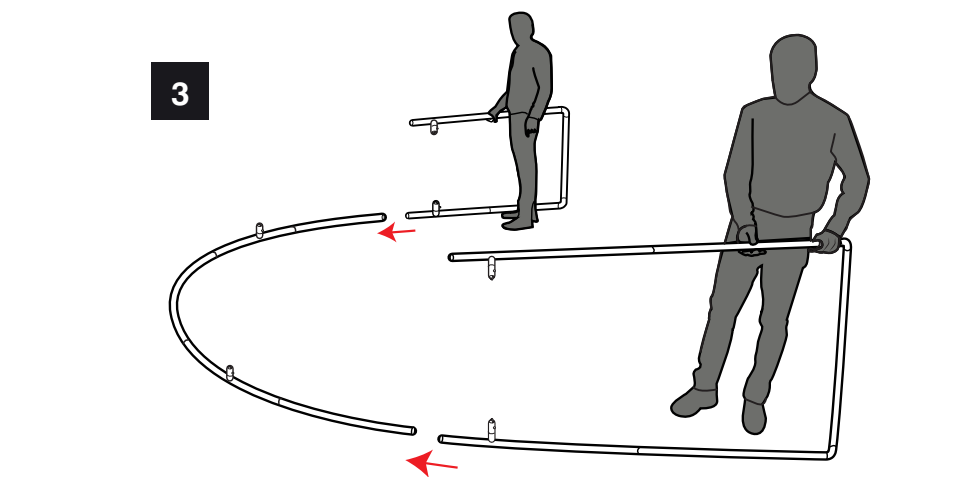
1



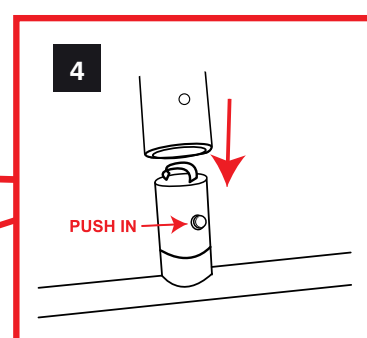
2



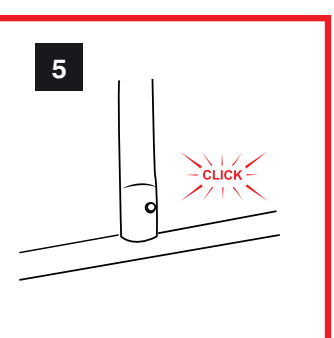
3



4

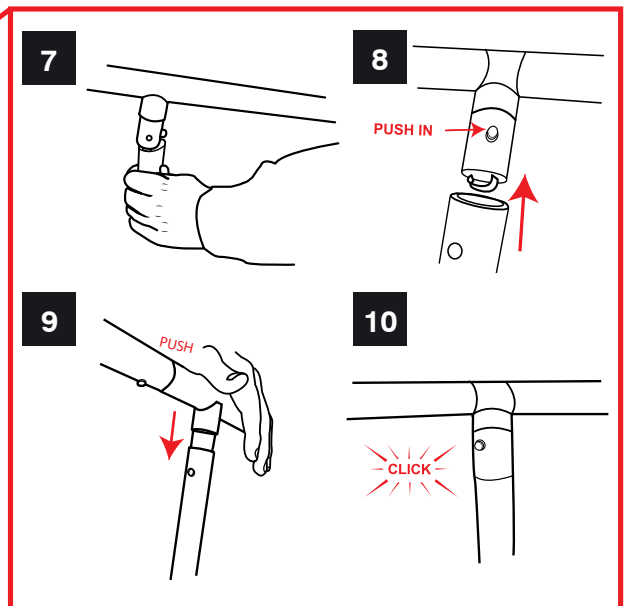
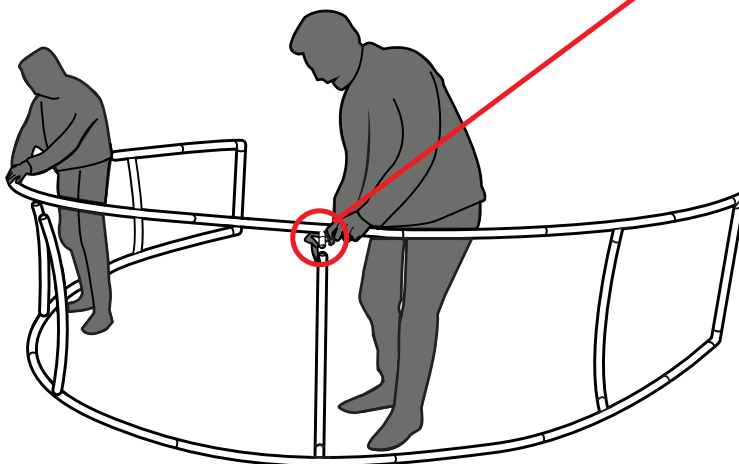
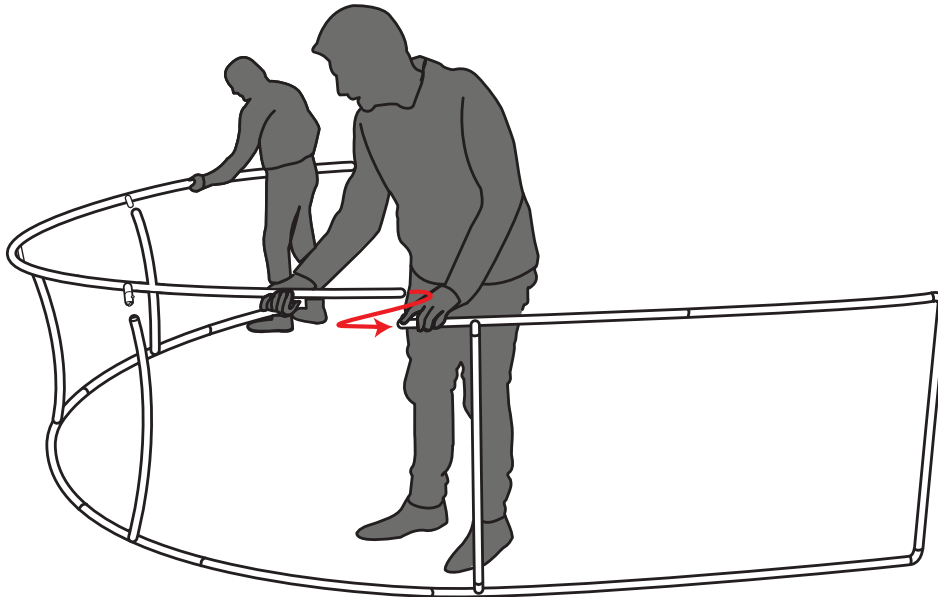


5



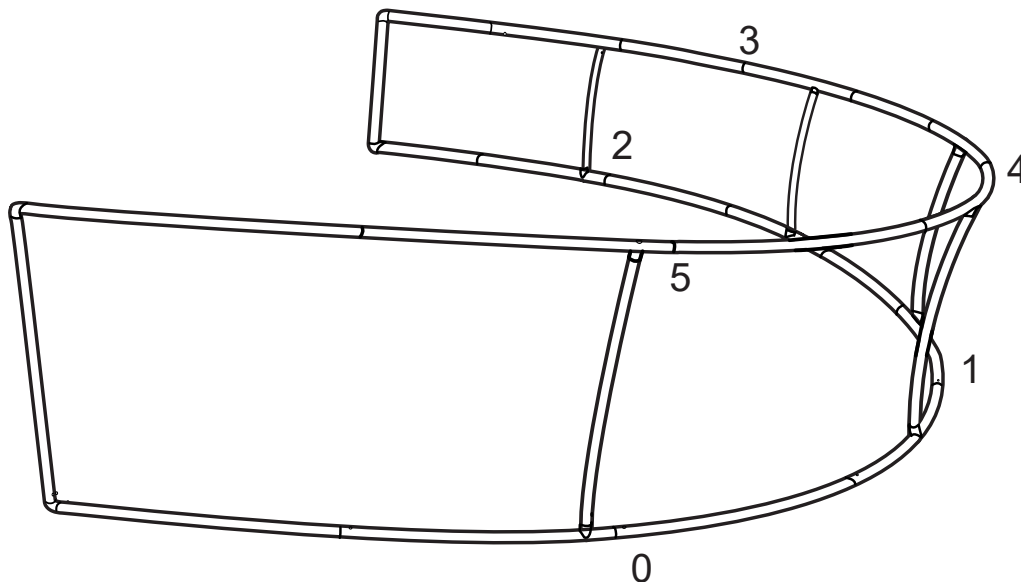


6



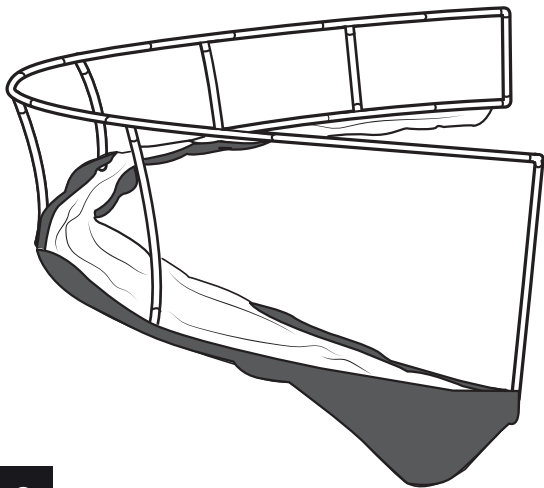
NOTE: ALIGN POLES WITH CONNECTORS

11

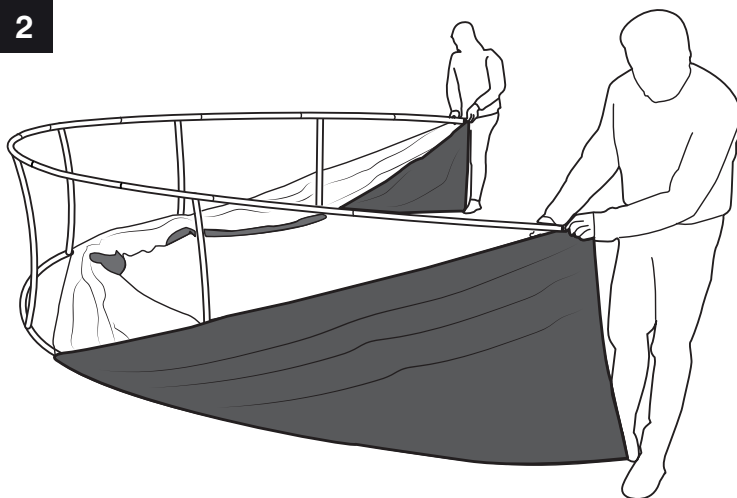




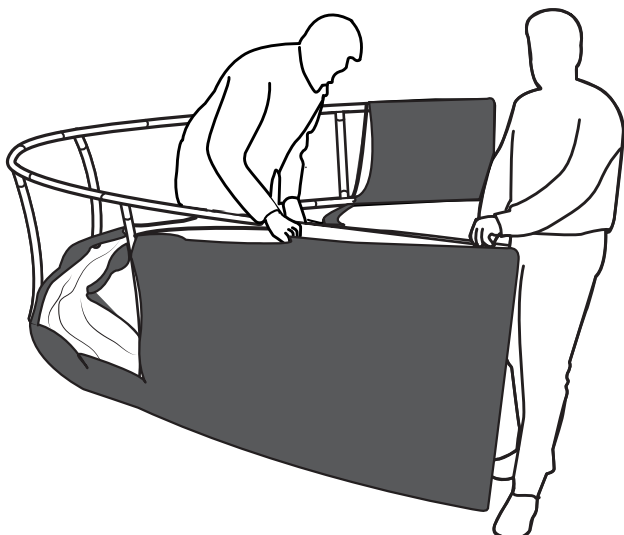
1



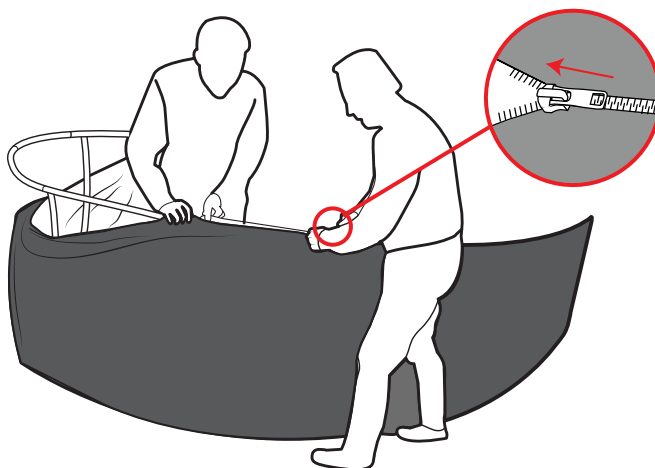
2



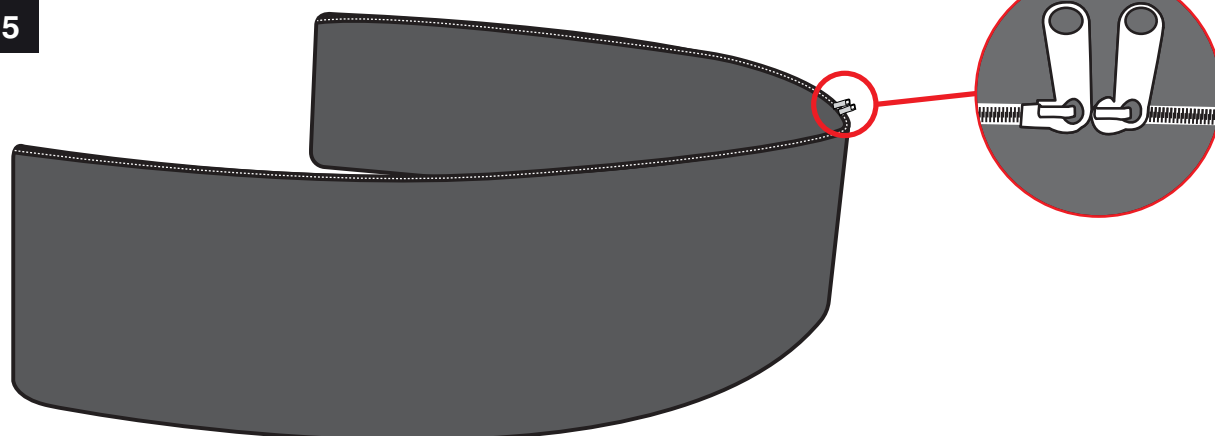
3



4



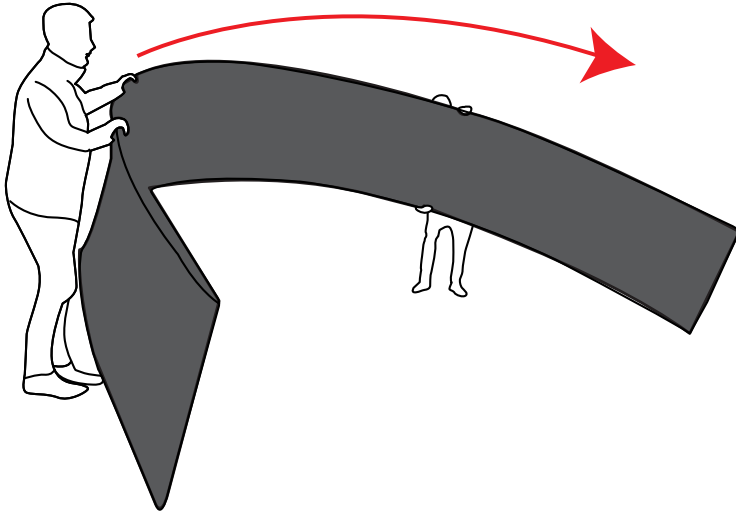
5



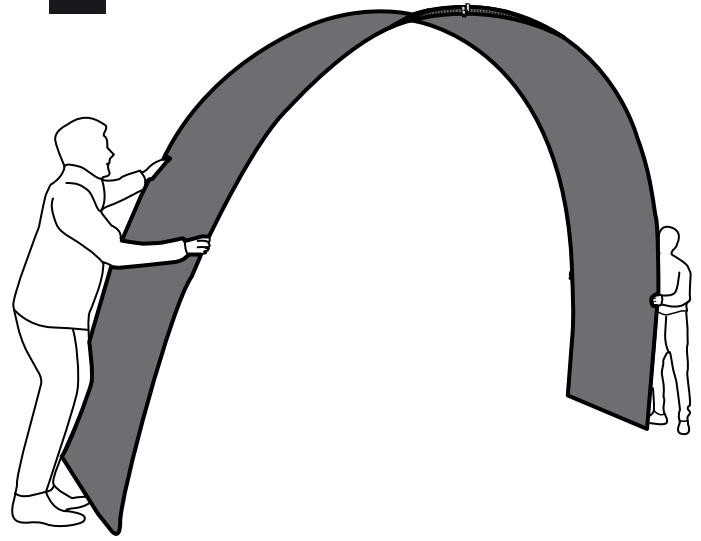
Formulate arch



1



2



3

