

CURVORAMA CASE

High quality roto-moulded case with metal hardware manufactured in the UK.



Optional Extra:
Table top available in oak

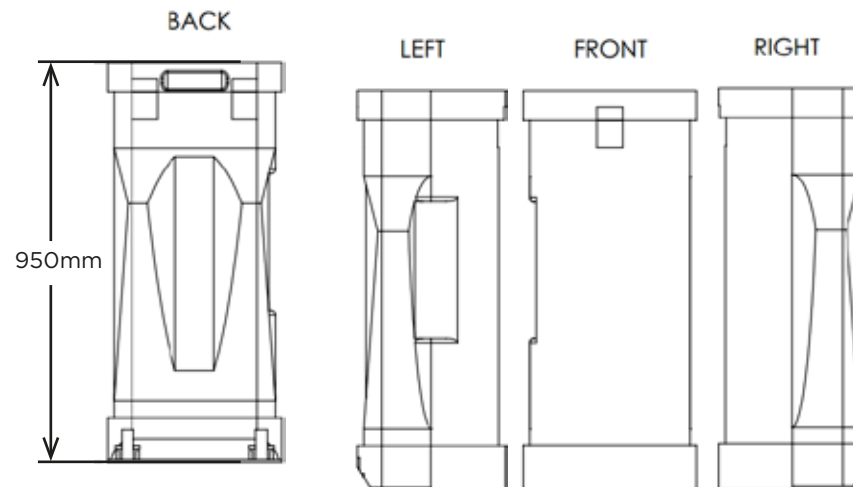
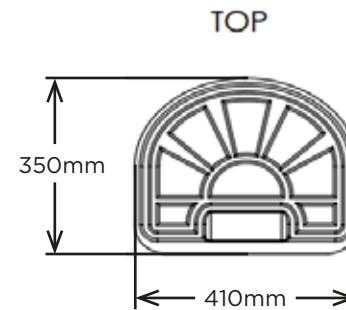


Combine 2x
Curvorama
cases for the
ultimate portable
display stand.



Graphics Wrap

1236 x 770mm
(Includes 25mm overlap)



Internal Dimensions:

Width: 340mm
Depth: 275mm
Height: 935mm
Weight: 5Kg
Material: MDPE

