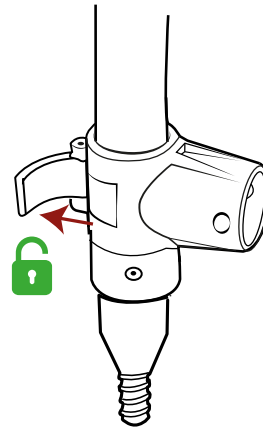
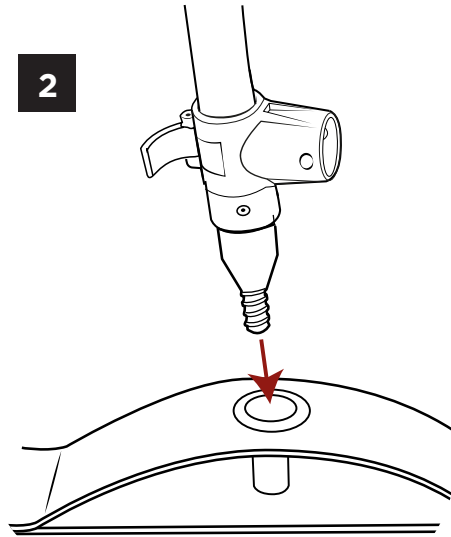


1

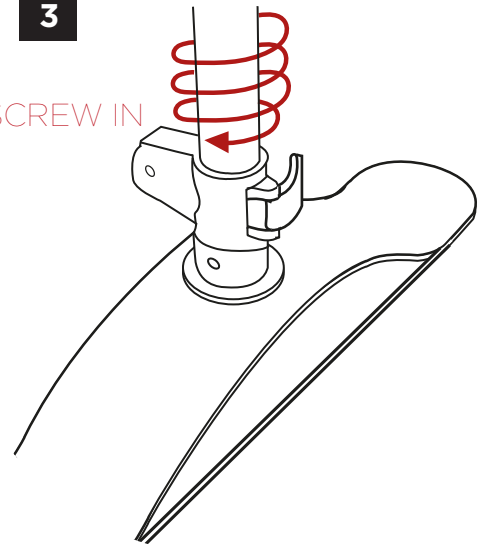


2

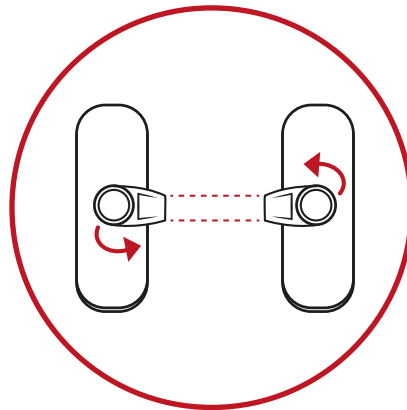
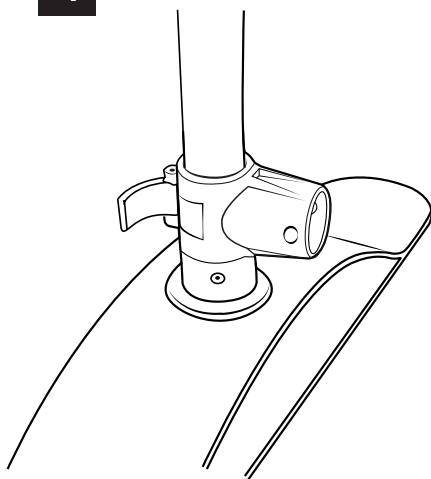


3

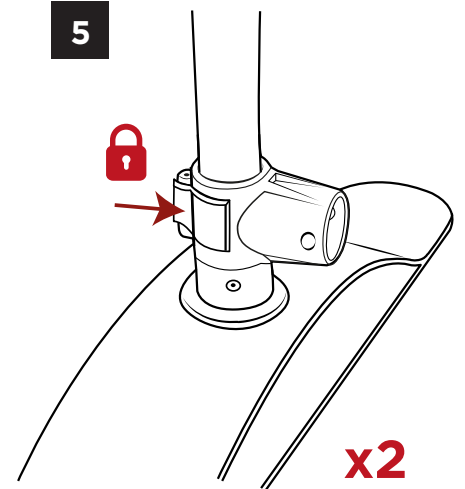
SCREW IN



4

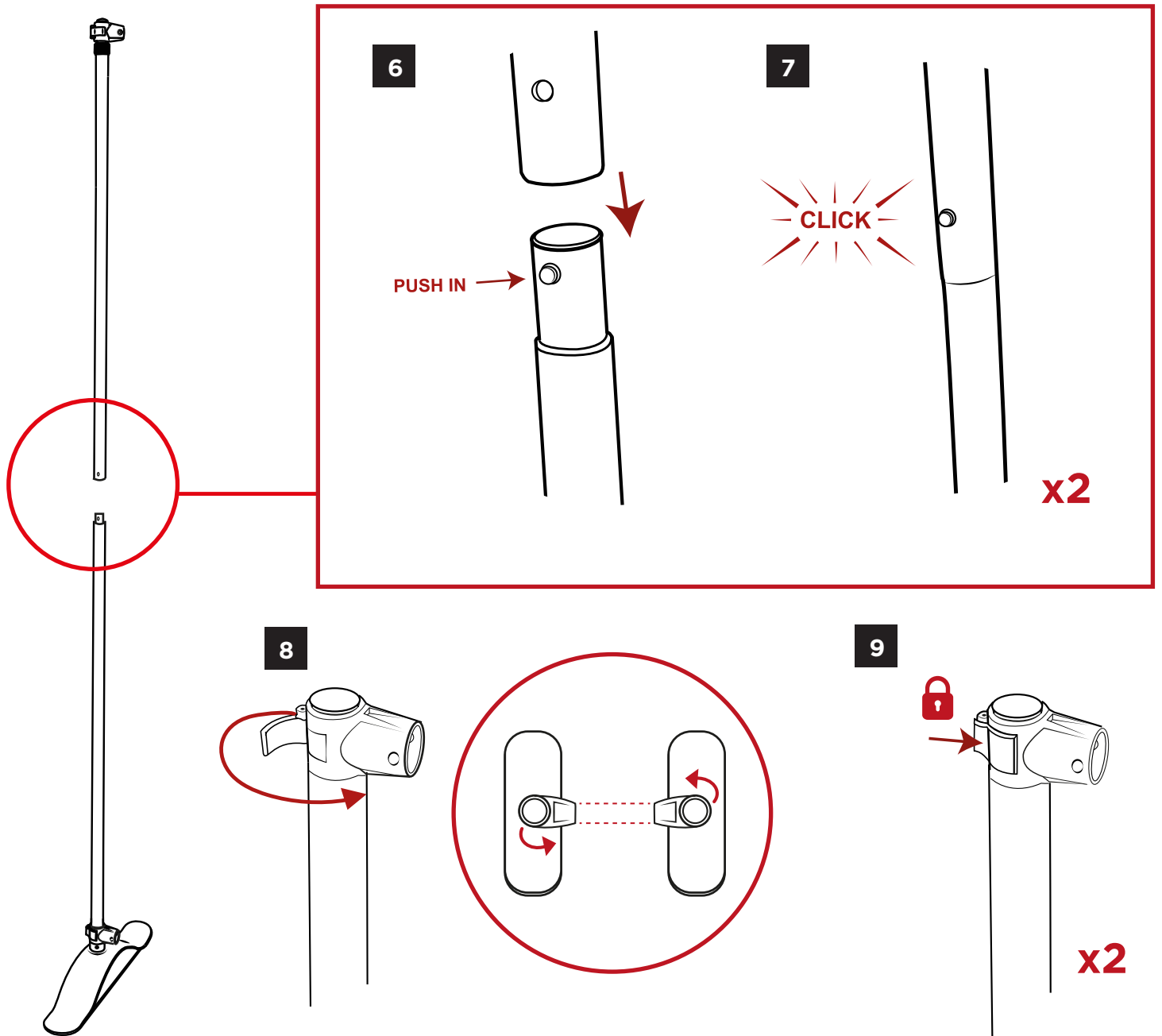


5

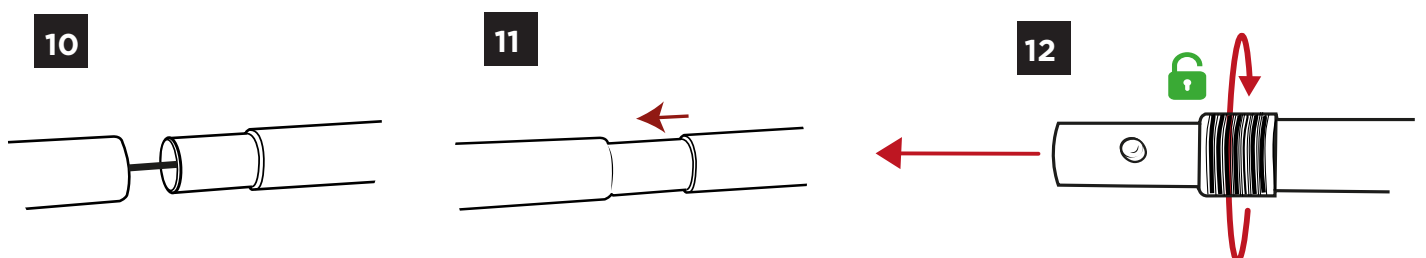


x2

ASSEMBLING VERTICAL POLES

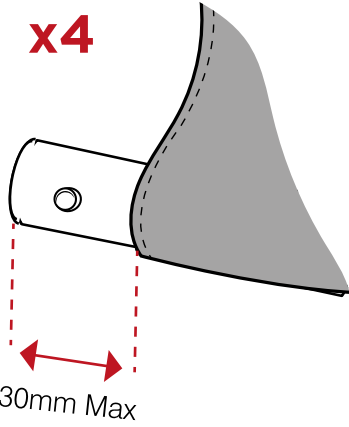


ASSEMBLING HORIZONTAL POLES

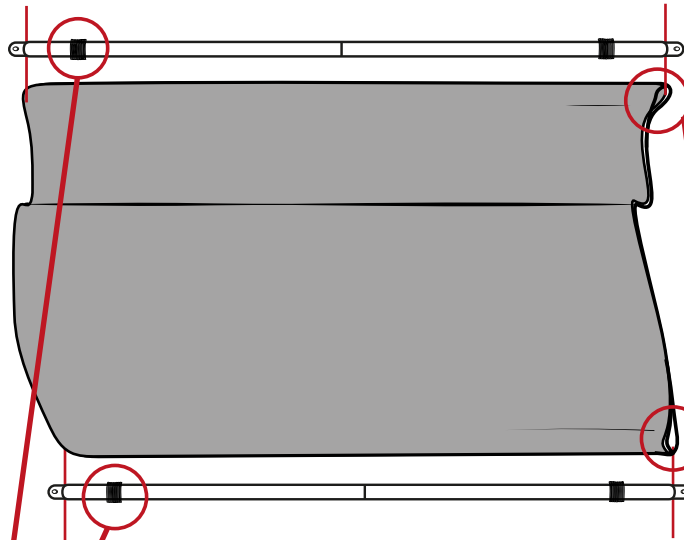


IMPORTANT

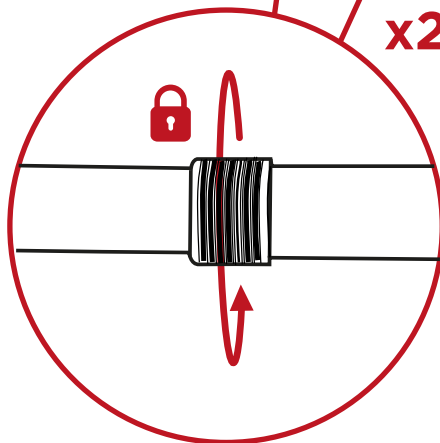
x4



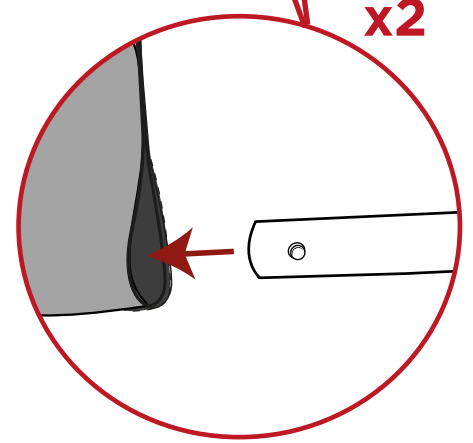
INSERTING INTO GRAPHIC



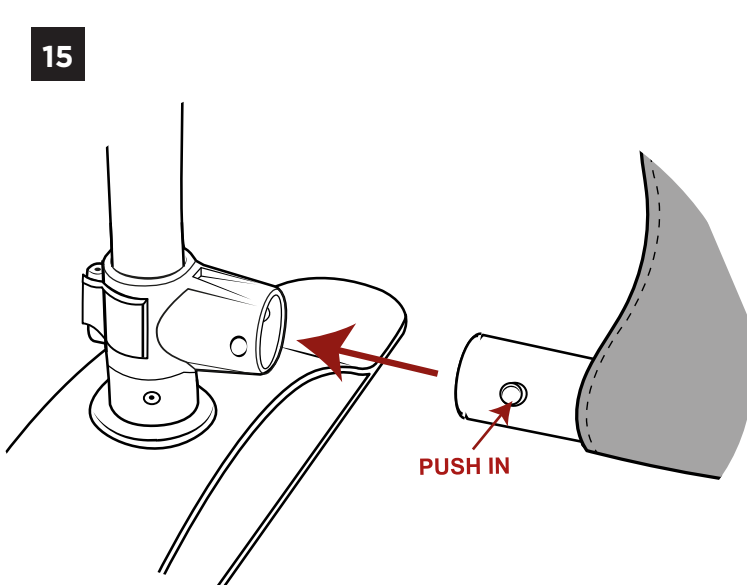
13



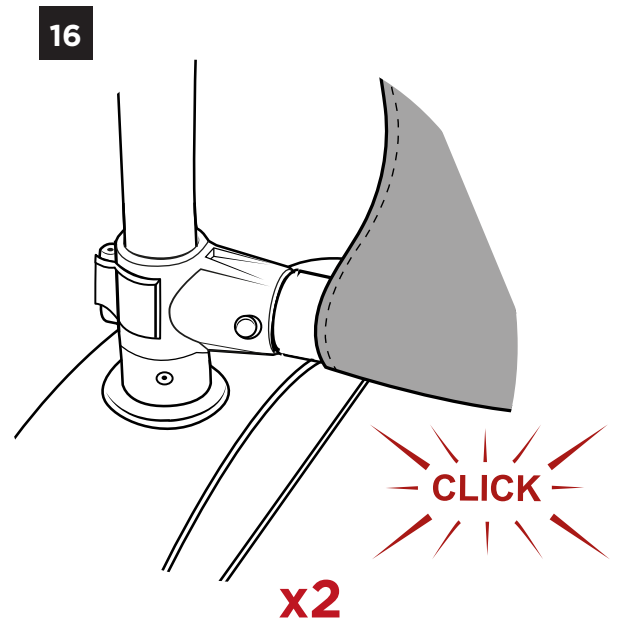
14



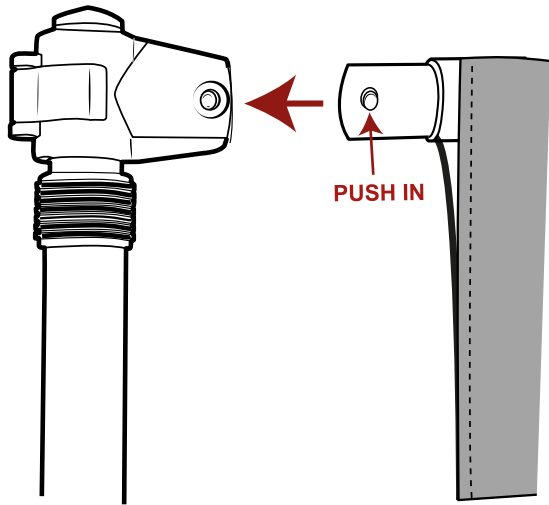
15



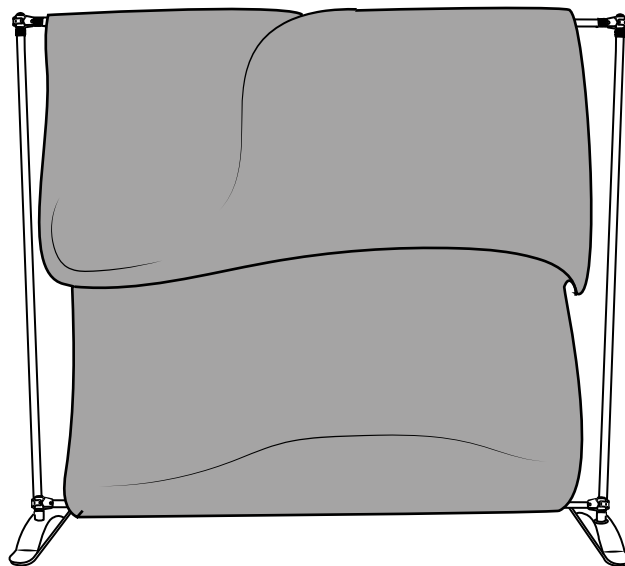
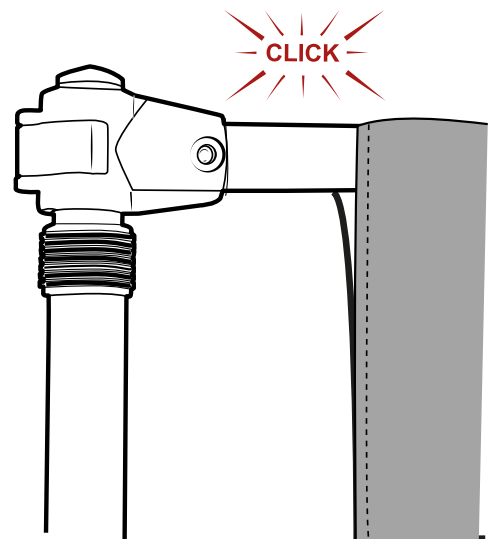
16



17

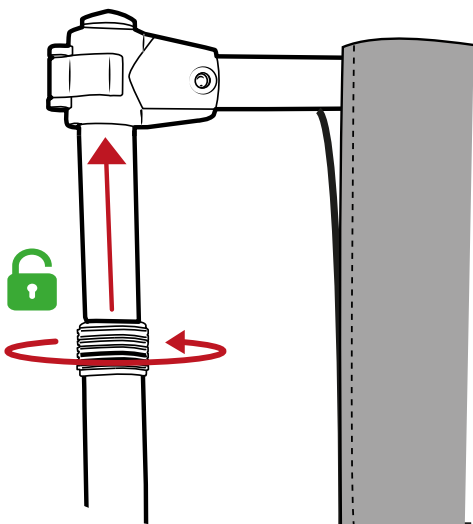


18



ADJUSTING THE FRAME

19



20

