

# ASSEMBLY INSTRUCTIONS

## Tension Banners Formulate Monolith LED 1100

March 2019



**PARTS (NOT TO SCALE)**

**2000mm high**

1 Bottom Pole Ballasted 4

2 Top Pole 3

3 Vertical Pole Section 4

1 with Cable Tie 2

LED Strip (x2)

LED Clamp (x6) Driver Driver Clamp (x2) Gloves

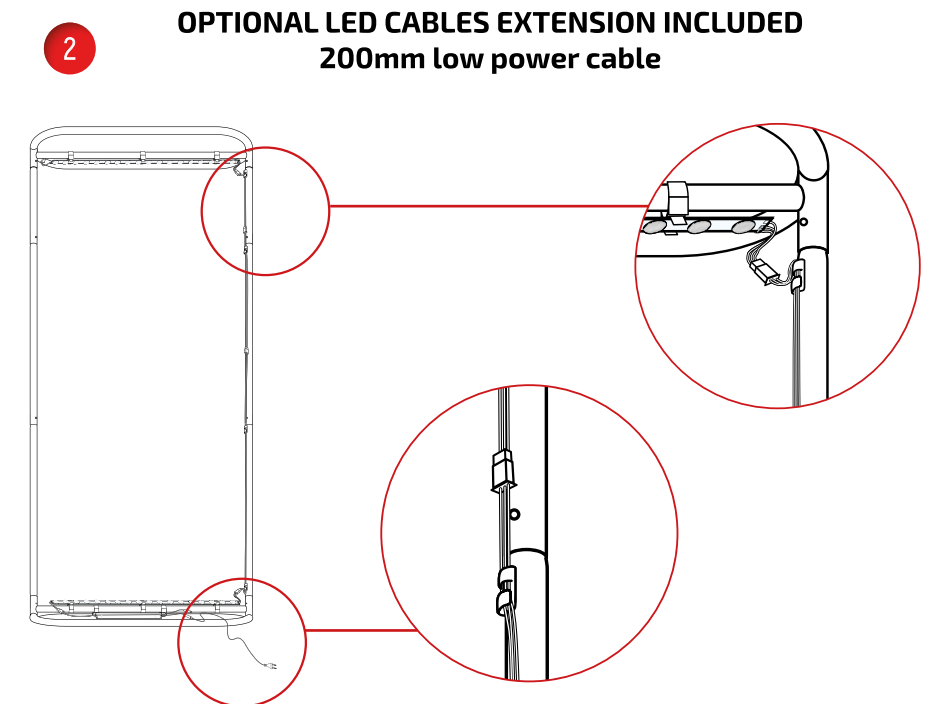
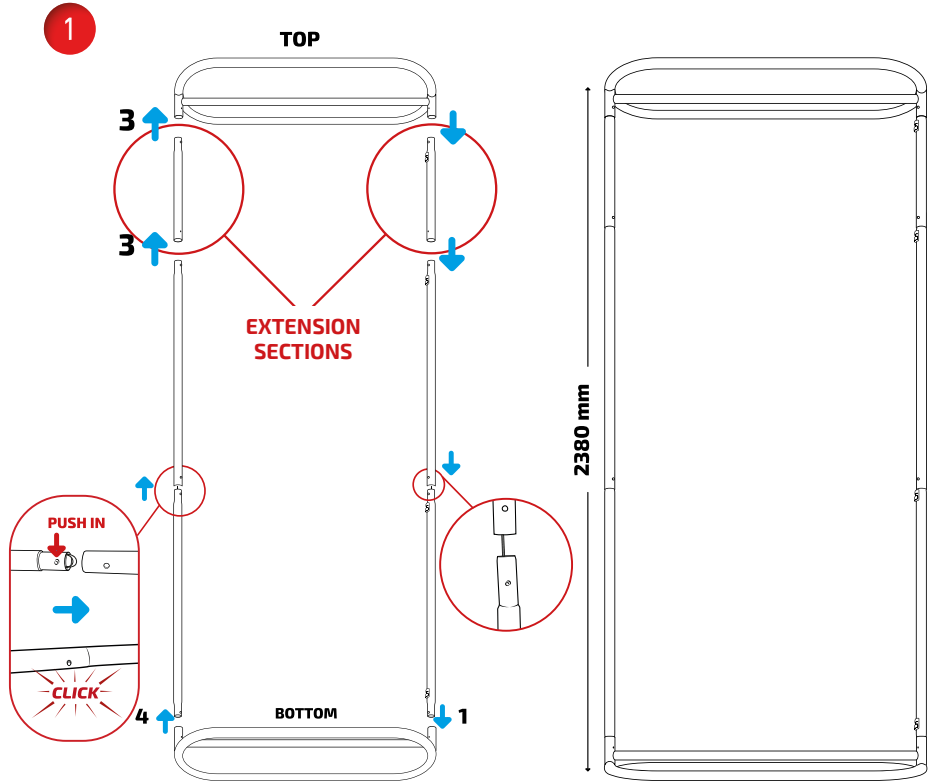
Main Cable Low Power Cable 1500mm Low Power Cable 500mm

---

**2380mm high**

3 Extension Pole 3 Low Power Extension Cable 200mm

2 with Cable Tie 2

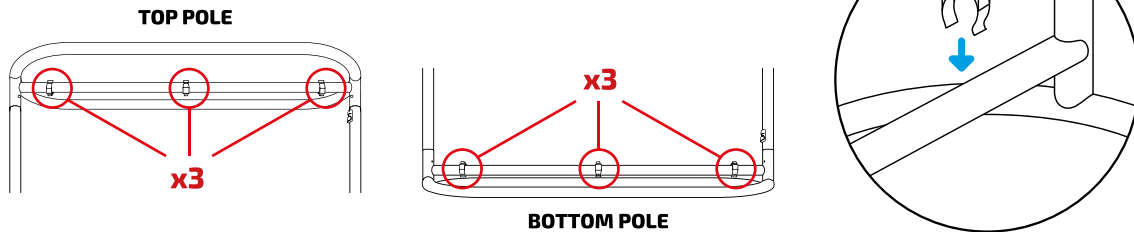


## Tension Banners Formulate Monolith LED 1100

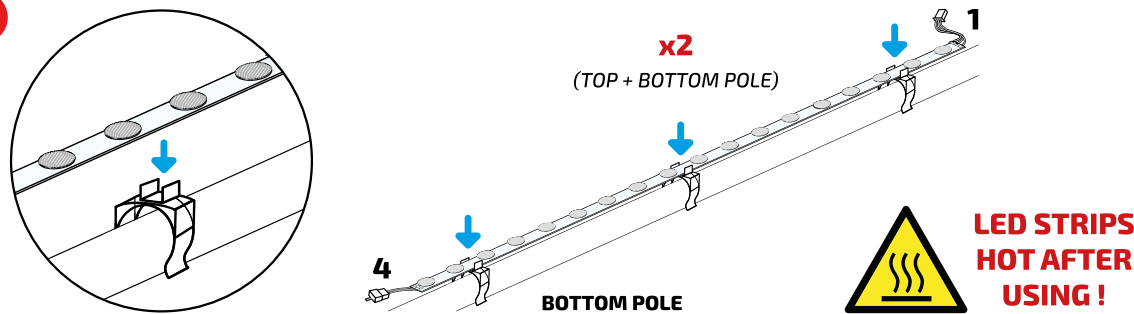
March 2019



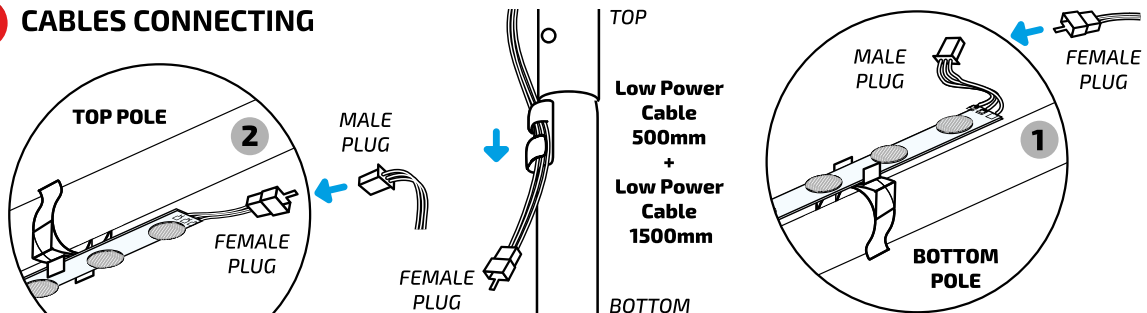
### 1 STRIP LED ASSEMBLING



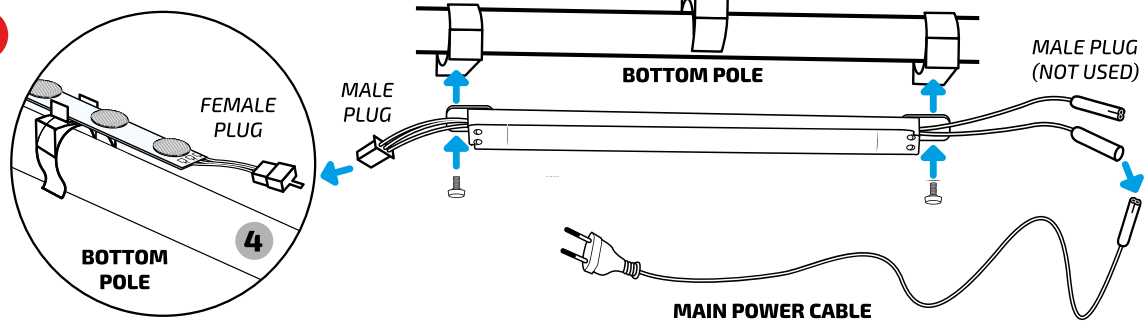
### 2



### 3 CABLES CONNECTING



### 4



# ASSEMBLY INSTRUCTIONS

## Tension Banners Formulate Monolith LED 1100

March 2019

