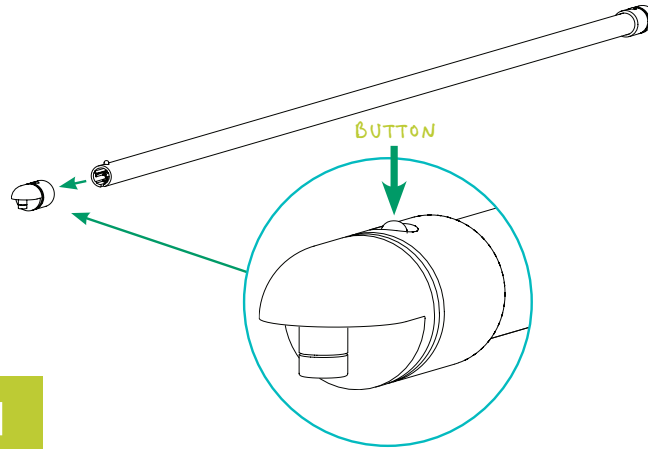
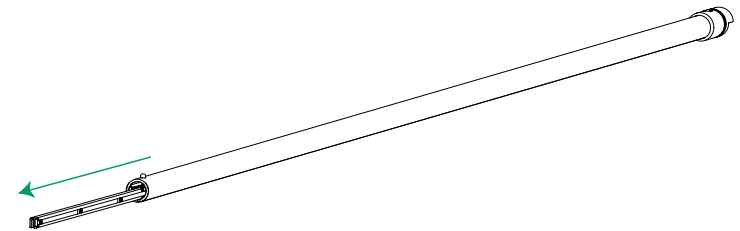


# ATTACH A GRAPHIC TO THE MEDIO ORIGINAL CROSS ARMS



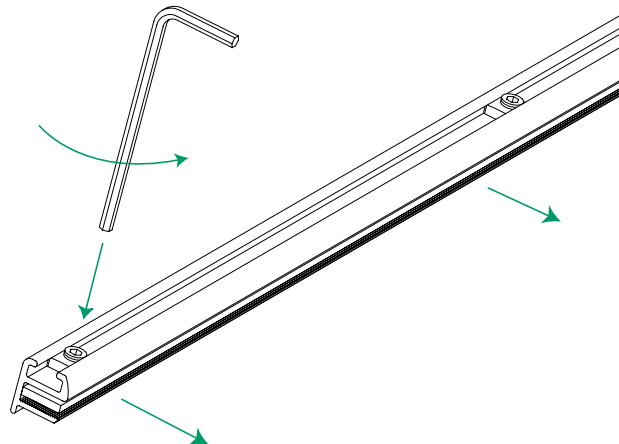
1

Press button to remove cross arm ends.



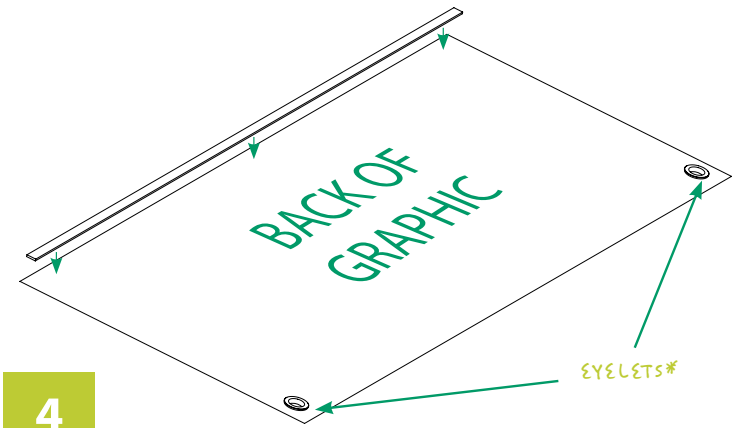
2

Slide out graphic hanger.



3

Undo grub screws and remove graphic guide.

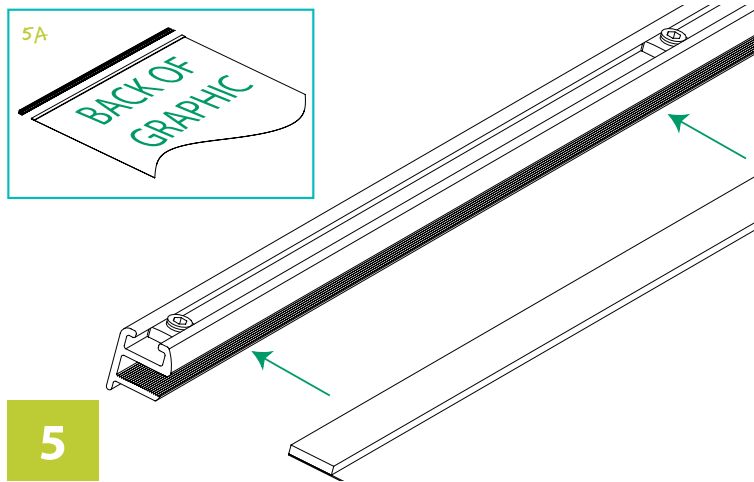
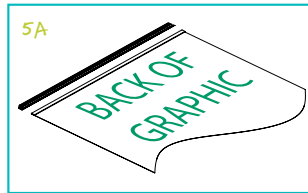


4

Attach self-adhesive graphic guide to rear top edge of graphic.

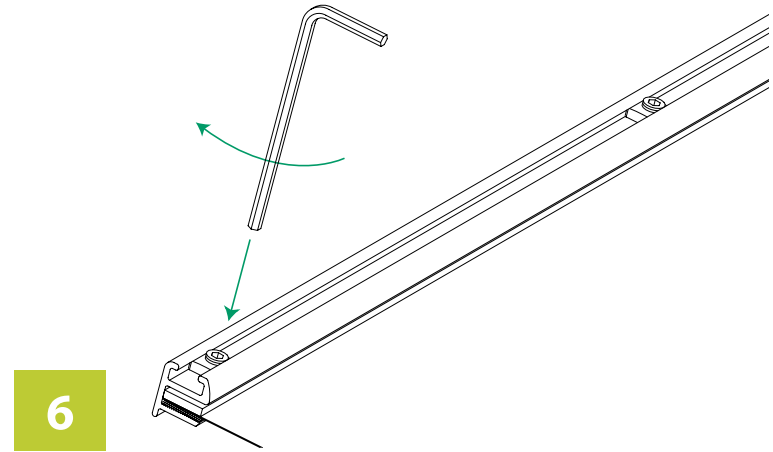
\*FOR POSITION OF EYELETS SEE PAGE 3

# ATTACH A GRAPHIC TO THE MEDIO ORIGINAL CROSS ARMS



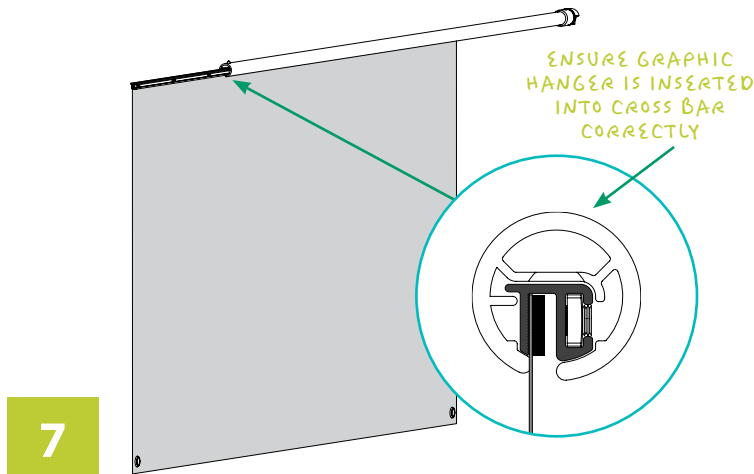
5

Slide graphic guide into hanger.



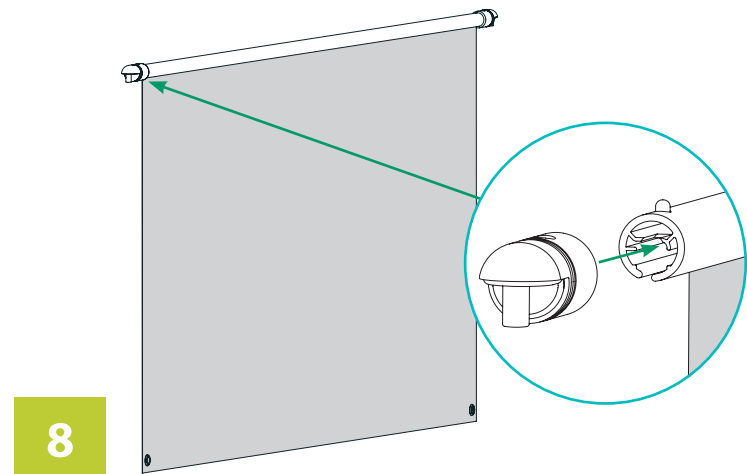
6

Tighten up grub screws to secure graphic.



7

Slide graphic hanger back into cross arm.



8

Re-attach cross arm end.



# MEDIO ORIGINAL CAFÉ BANNER GRAPHIC PANEL SIZES

