

## SPECIFICATIONS

### GRAPHIC PANEL SIZE

#### Finished graphic panel size

835mm x 1775 / 1275 / 975mm  
[Please note – 15mm at top of graphic is hidden by hanger]

#### Visual graphic area

820mm x 1775 / 1275 / 975mm

#### Graphic panel thickness

500 micron

### WEIGHTS AND DIMENSIONS

#### Assembled size

Post and base: 1000 [h] x 350mm [diameter]  
Base height: 30mm  
Centre of post to centre of post: 2000mm /  
1500mm / 1200mm  
Height to top of cross bar: 995mm  
Height to bottom of graphic: 150mm

#### Boxed size

Post [box 1]: 1010 [h] x 110 [w] x 100 [d] mm

Post [box 2]: 370 [h] x 370 [w] x 70 [d] mm

2000mm cross bar:

2050 [l] x 50 [w] x 55 [d] mm

1500mm cross bar:

1550 [l] x 50 [w] x 55 [d] mm

1200mm cross bar:

1250 [l] x 50 [w] x 55 [d] mm

#### Boxed weight

Post: 10.50kg [combined weight of box 1 and 2]

2000mm cross bar: 2.50kg [inc spring clips]

1500mm cross bar: 1.75kg [inc spring clips]

1200mm cross bar: 1.50kg [inc spring clips]

### COMPONENT LIST

#### POST

- 1 x Post
- 1 x Base
- 1 x Post Gasket
- 1 x Bolt
- 1 x Washer
- 1 x Spring Washer
- 8 x Blanking Bungs

### COMPONENT LIST

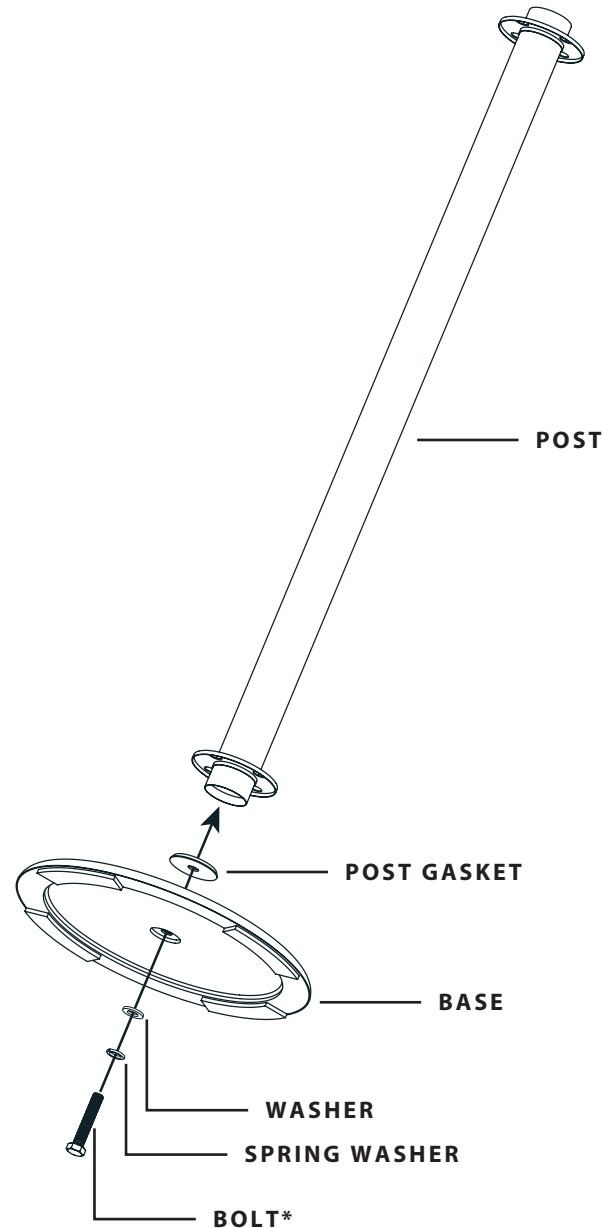
#### CROSS ARM

- 1 x Cross Bar
- 2 x Spring Fittings
- 1 x Hex Key

# plex®

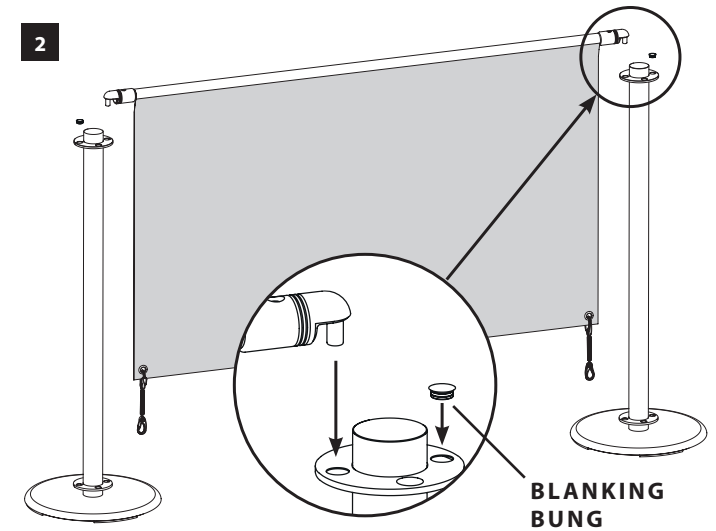
## MEDIO SLIDE CAFÉ BARRIER – ASSEMBLY INSTRUCTIONS

1

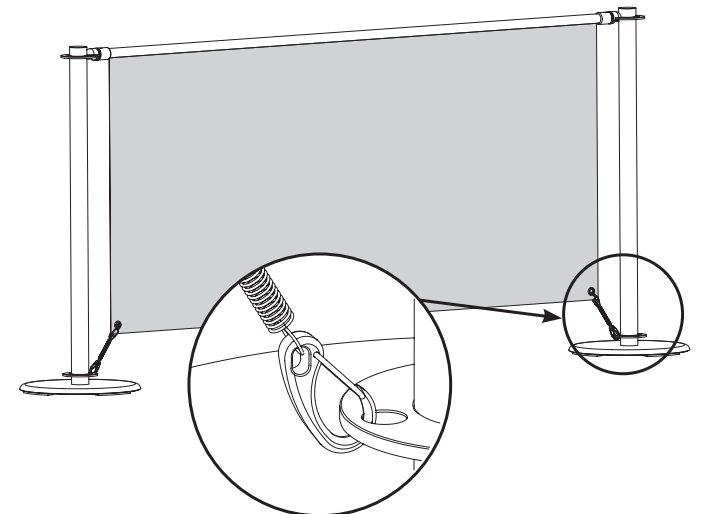


\*Please ensure that bolt is routinely checked and tightened as necessary

2



3



Graphic Attachment instructions on reverse

## SPECIFICATIONS

### GRAPHIC PANEL SIZE

#### Finished graphic panel size

835mm x 1775 / 1275 / 975mm  
[Please note – 15mm at top of graphic is hidden by hanger]

#### Visual graphic area

820mm x 1775 / 1275 / 975mm

#### Graphic panel thickness

500 micron

### WEIGHTS AND DIMENSIONS

#### Assembled size

Post and base: 1000 [h] x 350mm [diameter]  
Base height: 30mm  
Centre of post to centre of post: 2000mm / 1500mm / 1200mm  
Height to top of cross bar: 995mm  
Height to bottom of graphic: 150mm

#### Boxed size

Post [box 1]: 1010 [h] x 110 [w] x 100 [d] mm  
Post [box 2]: 370 [h] x 370 [w] x 70 [d] mm

2000mm cross bar:

2050 [l] x 50 [w] x 55 [d] mm

1500mm cross bar:

1550 [l] x 50 [w] x 55 [d] mm

1200mm cross bar:

1250 [l] x 50 [w] x 55 [d] mm

#### Boxed weight

Post: 10.50kg [combined weight of box 1 and 2]  
2000mm cross bar: 2.50kg [inc spring clips]  
1500mm cross bar: 1.75kg [inc spring clips]  
1200mm cross bar: 1.50kg [inc spring clips]

## COMPONENT LIST

### POST

- 1 x Post
- 1 x Base
- 1 x Post Gasket
- 1 x Bolt
- 1 x Washer
- 1 x Spring Washer
- 8 x Blanking Bungs

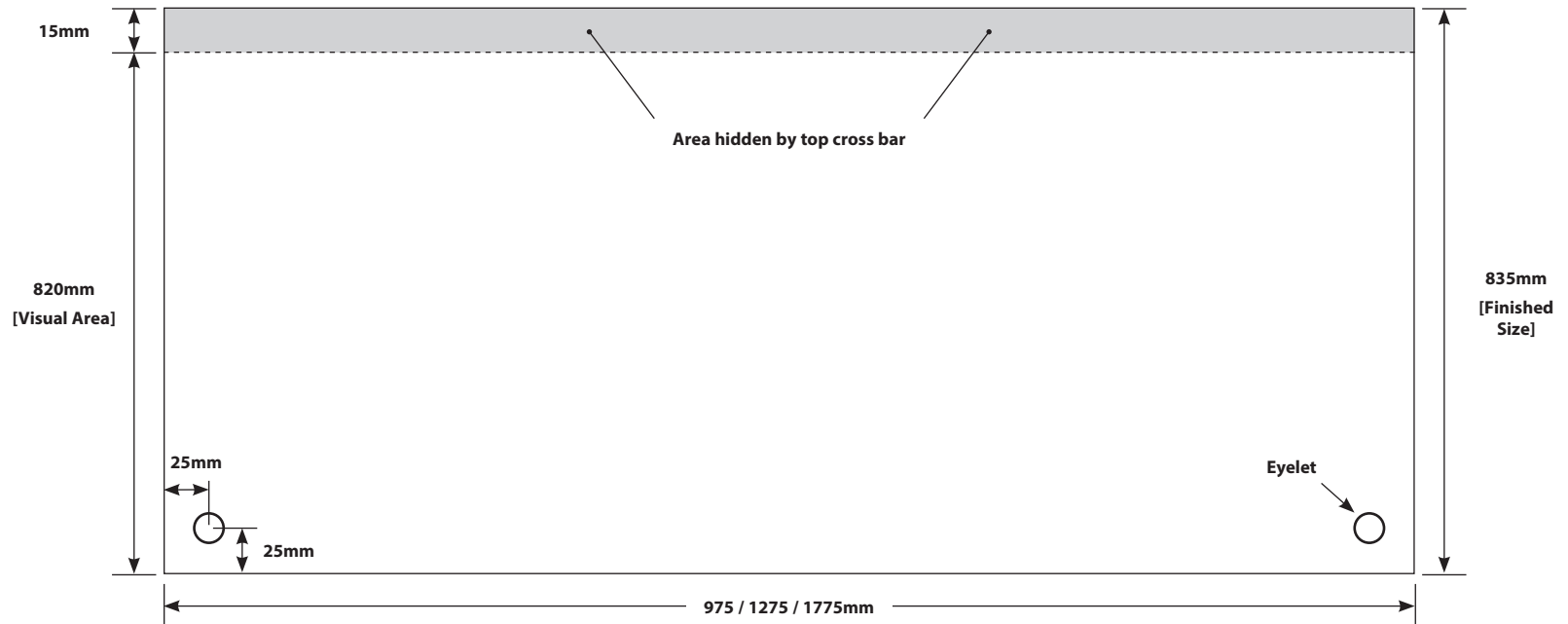
## COMPONENT LIST

### CROSS ARM

- 1 x Cross Bar
- 2 x Spring Fittings
- 1 x Hex Key

# plex®

## MEDIO SLIDE CAFÉ BARRIER – GRAPHIC PANEL SIZES



## SPECIFICATIONS

### GRAPHIC PANEL SIZE

#### Finished graphic panel size

835mm x 1775 / 1275 / 975mm  
[Please note – 15mm at top of graphic is hidden by hanger]

#### Visual graphic area

820mm x 1775 / 1275 / 975mm

#### Graphic panel thickness

500 micron

### WEIGHTS AND DIMENSIONS

#### Assembled size

Post and base: 1000 [h] x 350mm [diameter]  
Base height: 30mm  
Centre of post to centre of post: 2000mm /  
1500mm / 1200mm  
Height to top of cross bar: 995mm  
Height to bottom of graphic: 150mm

#### Boxed size

Post [box 1]: 1010 [h] x 110 [w] x 100 [d] mm

Post [box 2]: 370 [h] x 370 [w] x 70 [d] mm

2000mm cross bar:

2050 [l] x 50 [w] x 55 [d] mm

1500mm cross bar:

1550 [l] x 50 [w] x 55 [d] mm

1200mm cross bar:

1250 [l] x 50 [w] x 55 [d] mm

#### Boxed weight

Post: 10.50kg [combined weight of box 1 and 2]

2000mm cross bar: 2.50kg [inc spring clips]

1500mm cross bar: 1.75kg [inc spring clips]

1200mm cross bar: 1.50kg [inc spring clips]

### COMPONENT LIST

#### POST

- 1 x Post
- 1 x Base
- 1 x Post Gasket
- 1 x Bolt
- 1 x Washer
- 1 x Spring Washer
- 8 x Blanking Bungs

### COMPONENT LIST

#### CROSS ARM

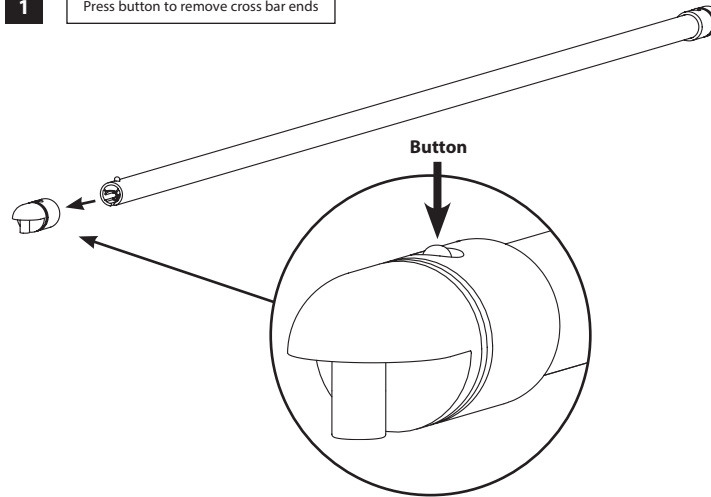
- 1 x Cross Bar
- 2 x Spring Fittings
- 1 x Hex Key

# plex®

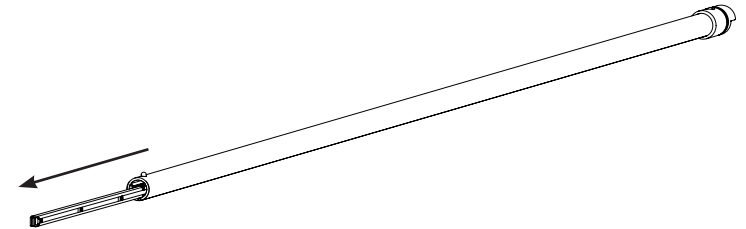
Issue 5 - September 2016

## MEDIO SLIDE CAFÉ BARRIER – CROSS BAR ASSEMBLY INSTRUCTIONS

**1** Press button to remove cross bar ends

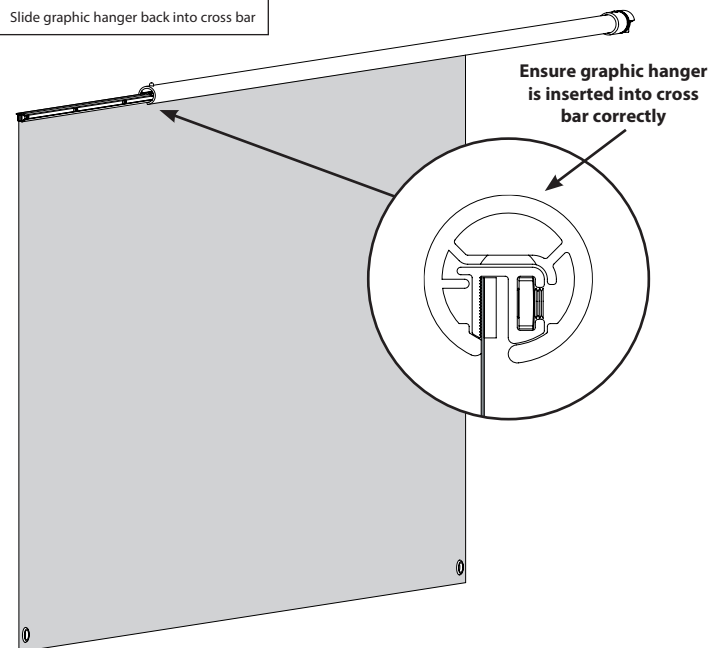


**2** Slide out graphic hanger

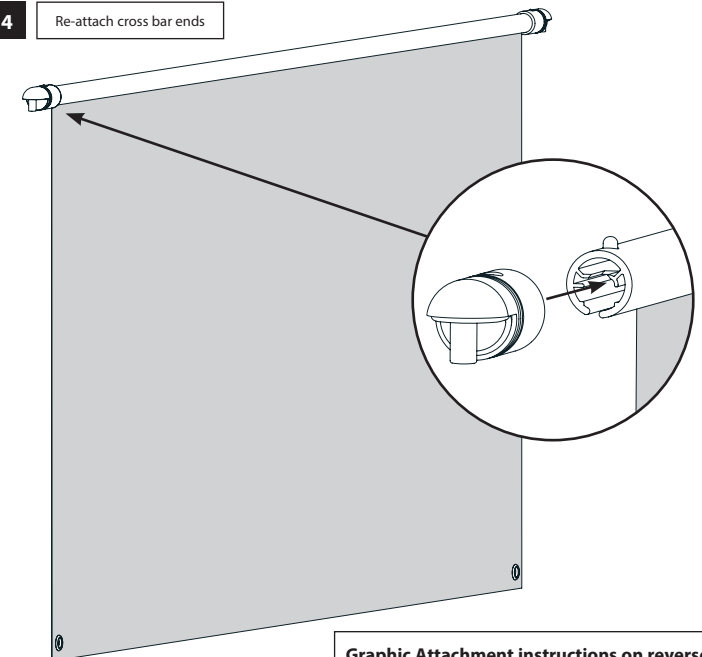


Attach graphic to hanger (see graphic attachment instructions)

**3** Slide graphic hanger back into cross bar



**4** Re-attach cross bar ends



Graphic Attachment instructions on reverse

## SPECIFICATIONS

### GRAPHIC PANEL SIZE

#### Finished graphic panel size

835mm x 1775 / 1275 / 975mm  
[Please note – 15mm at top of graphic is hidden by hanger]

#### Visual graphic area

820mm x 1775 / 1275 / 975mm

#### Graphic panel thickness

500 micron

### WEIGHTS AND DIMENSIONS

#### Assembled size

Post and base: 1000 [h] x 350mm [diameter]  
Base height: 30mm  
Centre of post to centre of post: 2000mm /  
1500mm / 1200mm  
Height to top of cross bar: 995mm  
Height to bottom of graphic: 150mm

#### Boxed size

Post [box 1]: 1010 [h] x 110 [w] x 100 [d] mm

Post [box 2]: 370 [h] x 370 [w] x 70 [d] mm

2000mm cross bar:

2050 [l] x 50 [w] x 55 [d] mm

1500mm cross bar:

1550 [l] x 50 [w] x 55 [d] mm

1200mm cross bar:

1250 [l] x 50 [w] x 55 [d] mm

#### Boxed weight

Post: 10.50kg [combined weight of box 1 and 2]

2000mm cross bar: 2.50kg [inc spring clips]

1500mm cross bar: 1.75kg [inc spring clips]

1200mm cross bar: 1.50kg [inc spring clips]

### COMPONENT LIST

#### POST

- 1 x Post
- 1 x Base
- 1 x Post Gasket
- 1 x Bolt
- 1 x Washer
- 1 x Spring Washer
- 8 x Blanking Bungs

### COMPONENT LIST

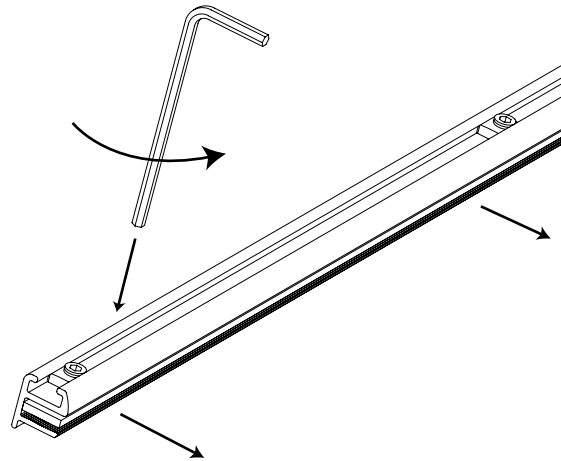
#### CROSS ARM

- 1 x Cross Bar
- 2 x Spring Fittings
- 1 x Hex Key

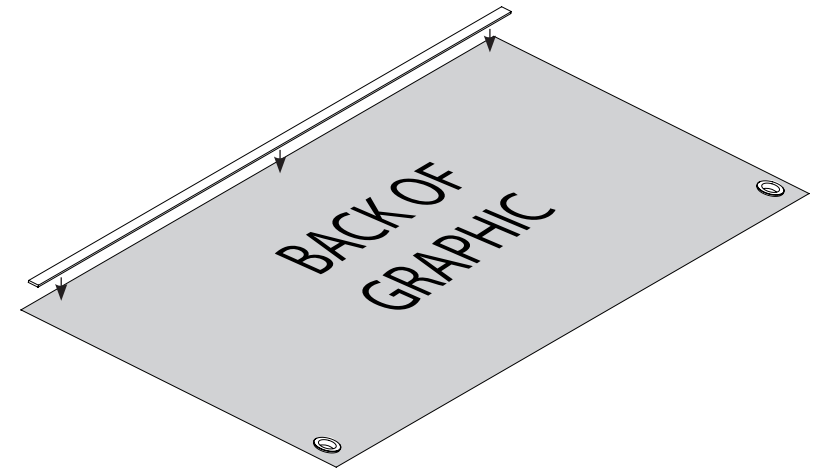
# plex®

## MEDIO SLIDE CAFÉ BARRIER – GRAPHIC ATTACHMENT INSTRUCTIONS

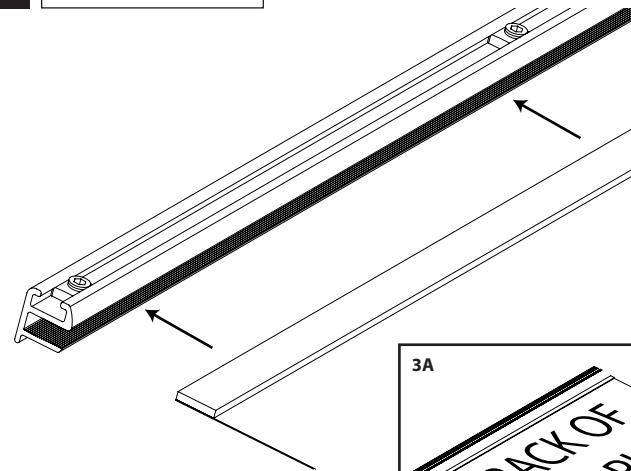
1 Undo grub screws and remove graphic guide



2 Attach self-adhesive graphic guide to rear of top edge of graphic



3 Slide graphic guide into hanger



4 Tighten up grub screws to secure graphic

