

# Modulate™ Curved 820

MOD-C-820

**Modulate™** consists of a set of frames made from aluminium tubes (Ø30 mm) covered with a printed tension fabric graphic. These frames can be connected together using powerful magnets inside each frame. Modulate range is available in 11 different sized formats.

- Thanks to the exclusive **MagLink** magnetic system built into the structure, you can connect the frames by simply touching them together.
- With the **Twist & Lock** system, simply position the foot under the structure, turn it and it's locked!
- The graphics are very easy to maintain thanks to the crease-resistant and machine washable textile cover. Stretch fabric with zip system.



360° MagLink connector in each pole. 4 magnets per structure



Optional 400 mm extension to change the height of the structure



Self-locking system with bungee poles and push-buttons



Simple assembly with numbered frame parts



Central reinforcement tube (Ø 18 mm)



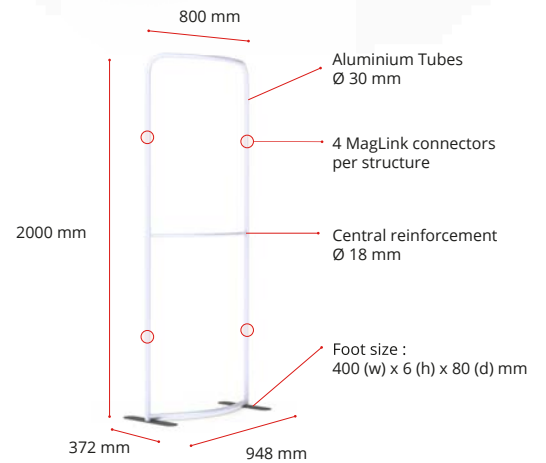
2 stabilising feet with Twist & Lock supplied with each frame



Double-sided tension fabric. Zip system



**Modulate™** carry bag with dedicated compartments for the feet and graphics



## Structure informations :

Item	Modulate Curved 820
Code	MOD-C-820
Structure dimensions	948 (w) x 2000 (h) x 372 (d) mm
Graphic visual area	895 (w) x 1982 (h) mm
Boxed dimensions	1000 (w) x 245 (h) x 125 (d) mm
Structure weight	6.45 kg
Boxed weight	6.80 kg

## OPTIONAL ELEMENTS :



Modulate half feet (pair)  
MOD-HALF-FOOT-P  
218 (w) x 6 (h) x 80 (d) mm



Extension Kit  
MOD-EXT400MM  
3 tubes



Spot LED Flood  
LED-FLOOD-ARM-BDLK



Spot LED Strip  
LED-STRIP-ARM-BDLK



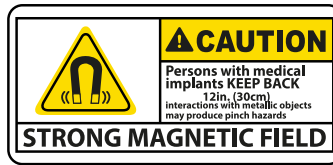
Fixing for 30mm Ø tubing  
US903

## MIX & MATCH THE 11 MODULATE FRAMES :

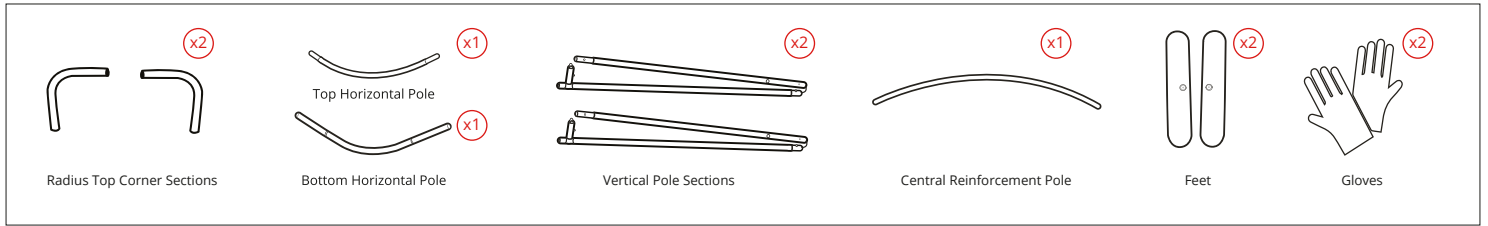


# Modulate™ Curved 820

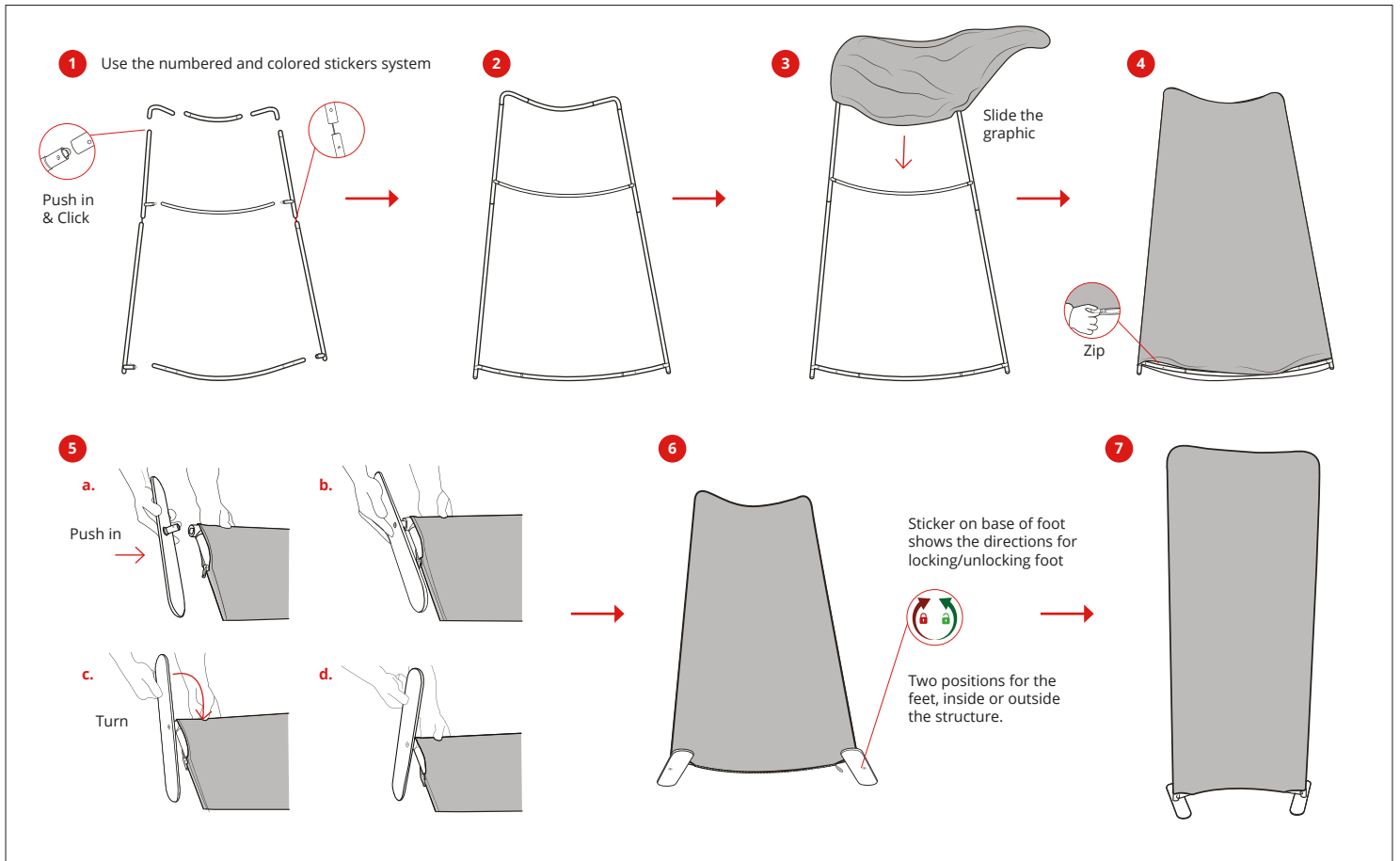
MOD-C-820



## ELEMENTS

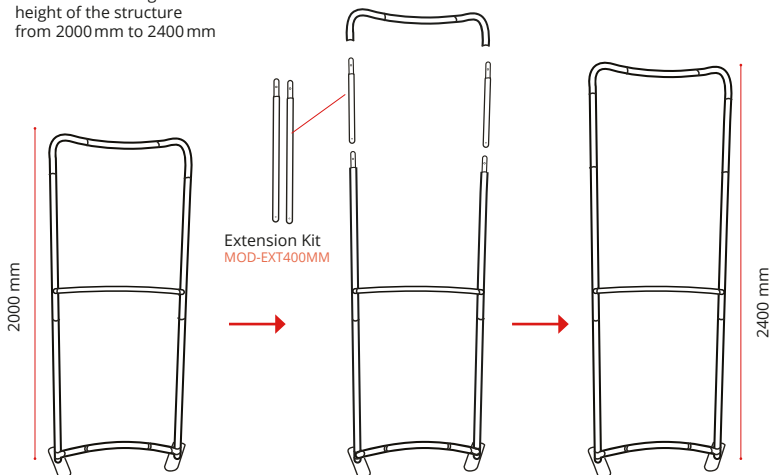


## ASSEMBLY



## EXTENSION KIT (OPTIONAL) 2000 MM → 2400 MM

Optional 400 mm extension to change the height of the structure from 2000 mm to 2400 mm



## CONNECTING MULTIPLE FRAMES

Remove one foot from second frame and align both frames on one foot

