

Modulate™ Straight 420

MOD-S-420

Modulate™ consists of a set of frames made from aluminium tubes (Ø30 mm) covered with a printed tension fabric graphic. These frames can be connected together using powerful magnets inside each frame. Modulate range is available in 11 different sized formats.

- Thanks to the exclusive **MagLink** magnetic system built into the structure, you can connect the frames by simply touching them together.
- With the **Twist & Lock** system, simply position the foot under the structure, turn it and it's locked!
- The graphics are very easy to maintain thanks to the crease-resistant and machine washable textile cover. Stretch fabric with zip system.



360° MagLink connector in each pole. 4 magnets per structure



Optional 400 mm extension to change the height of the structure



Self-locking system with bungee poles and push-buttons



Simple assembly with numbered frame parts



Central reinforcement tube (Ø 18 mm)



2 stabilising feet with Twist & Lock with each frame

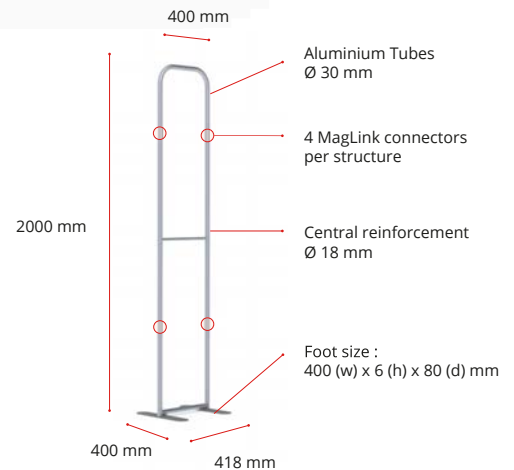


Double-sided tension fabric. Zip system



Modulate™ carry bag with dedicated compartments for the feet and graphics

Structure informations :	
Item	Modulate Straight 420
Code	MOD-S-420
Structure dimensions	418 (w) x 2000 (h) x 400 (d) mm
Graphic visual area	400 (w) x 1982 (h) mm
Boxed dimensions	1000 (w) x 245 (h) x 125 (d) mm
Structure weight	6.00 kg
Boxed weight	6.39 kg



OPTIONAL ELEMENTS :



Modulate half feet (pair)
MOD-HALF-FOOT-P
218 (w) x 6 (h) x 80 (d) mm



Extension Kit
MOD-EXT400MM
3 tubes



Spot LED Flood
LED-FLOOD-ARM-BDLK



Spot LED Strip
LED-STRIP-ARM-BDLK



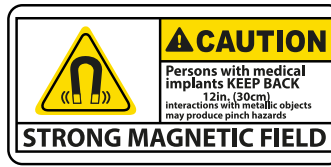
Fixing for 30mm Ø tubing
US903

MIX & MATCH THE 11 MODULATE FRAMES :

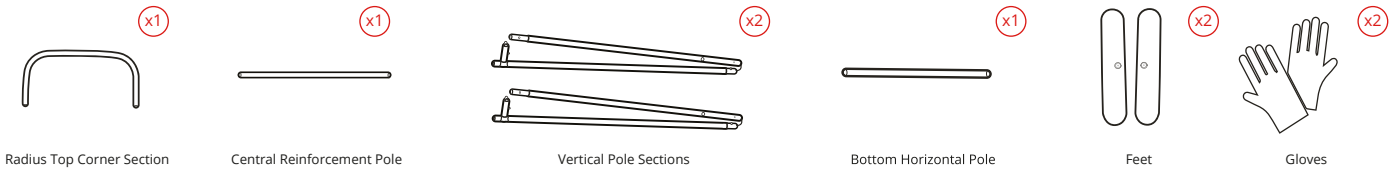


Modulate™ Straight 420

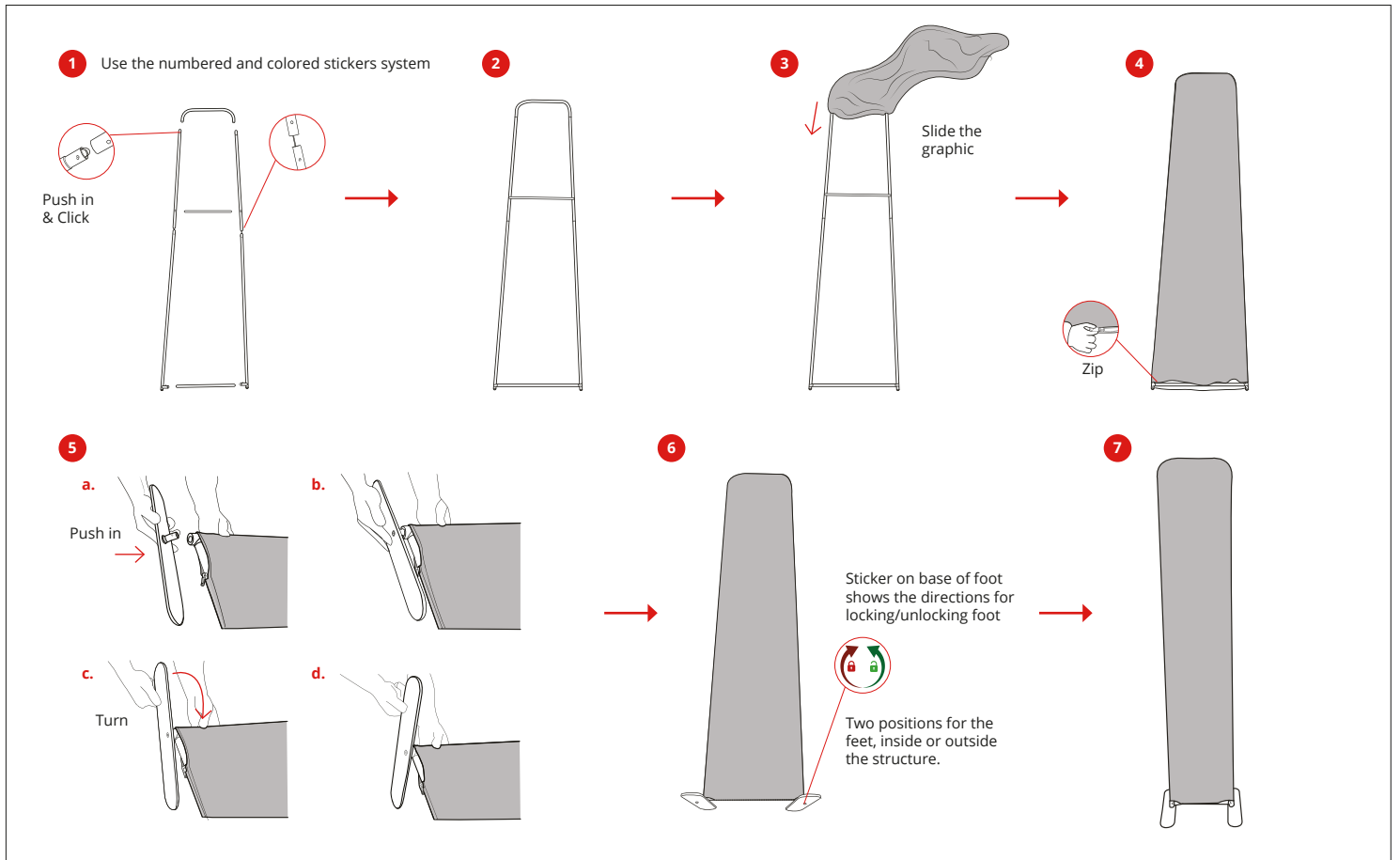
MOD-S-420



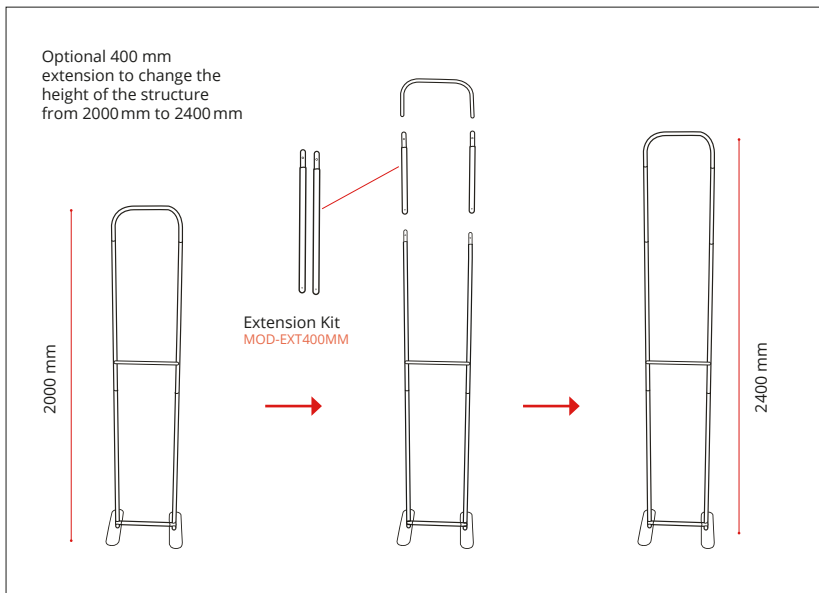
ELEMENTS



ASSEMBLY



EXTENSION KIT (OPTIONAL) 2000 MM → 2400 MM



CONNECTING MULTIPLE FRAMES

Remove one foot from second frame and align both frames on one foot

