

Modulate™ Straight 820

MOD-S-820

Modulate™ consists of a set of frames made from aluminium tubes (Ø30 mm) covered with a printed tension fabric graphic. These frames can be connected together using powerful magnets inside each frame. Modulate range is available in 11 different sized formats.

- Thanks to the exclusive **MagLink** magnetic system built into the structure, you can connect the frames by simply touching them together.
- With the **Twist & Lock** system, simply position the foot under the structure, turn it and it's locked!
- The graphics are very easy to maintain thanks to the crease-resistant and machine washable textile cover. Stretch fabric with zip system.



360° MagLink connector in each pole. 4 magnets per structure



Optional 400 mm extension to change the height of the structure



Self-locking system with bungee poles and push-buttons



Simple assembly with numbered frame parts



Central reinforcement tube (Ø 18 mm)



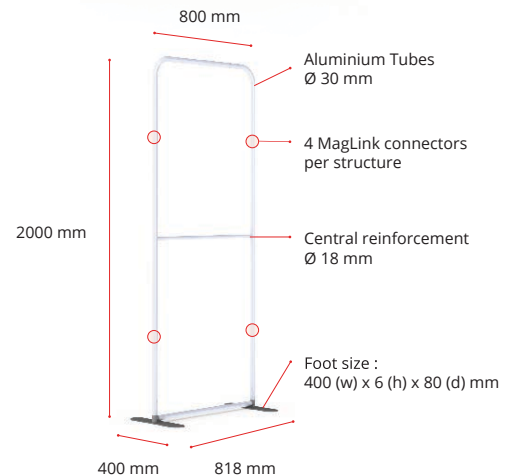
2 stabilising feet with Twist & Lock supplied with each frame



Double-sided tension fabric. Zip system



Modulate™ carry bag with dedicated compartments for the feet and graphics



Structure informations :

| Item | Modulate Straight 820 |
|----------------------|---------------------------------|
| Code | MOD-S-820 |
| Structure dimensions | 818 (w) x 2000 (h) x 400 (d) mm |
| Graphic visual area | 800 (w) x 1982 (h) mm |
| Boxed dimensions | 1000 (w) x 245 (h) x 125 (d) mm |
| Structure weight | 6.40 kg |
| Boxed weight | 6.69 kg |

OPTIONAL ELEMENTS :



Modulate half feet (pair)
MOD-HALF-FOOT-P
218 (w) x 6 (h) x 80 (d) mm



Extension Kit
MOD-EXT400MM
3 tubes



Spot LED Flood
LED-FLOOD-ARM-BDLK



Spot LED Strip
LED-STRIP-ARM-BDLK



Fixing for 30mm Ø tubing
US903

MIX & MATCH THE 11 MODULATE FRAMES :



Straight 420
MOD-S-420

Straight 424
MOD-S-424

Straight 810
MOD-S-810

Straight 820
MOD-S-820

Straight 824
MOD-S-824

Curved 820
MOD-C-820

Curved 824
MOD-C-824

Slope 1
MOD-SS-824-01

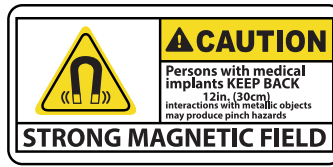
Slope 2
MOD-SS-824-02

Straight 1820
MOD-S-1820

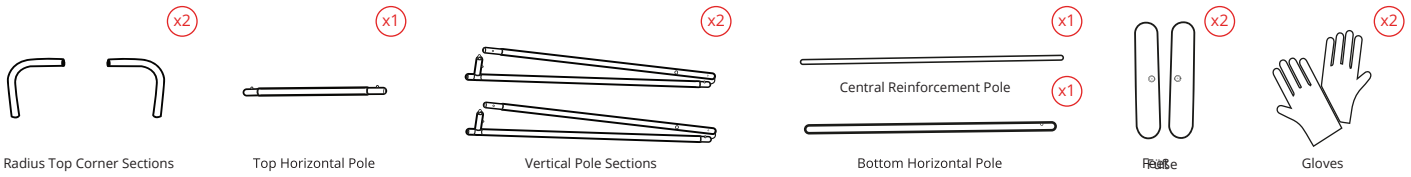
Straight 1824
MOD-S-1824

Modulate™ Straight 820

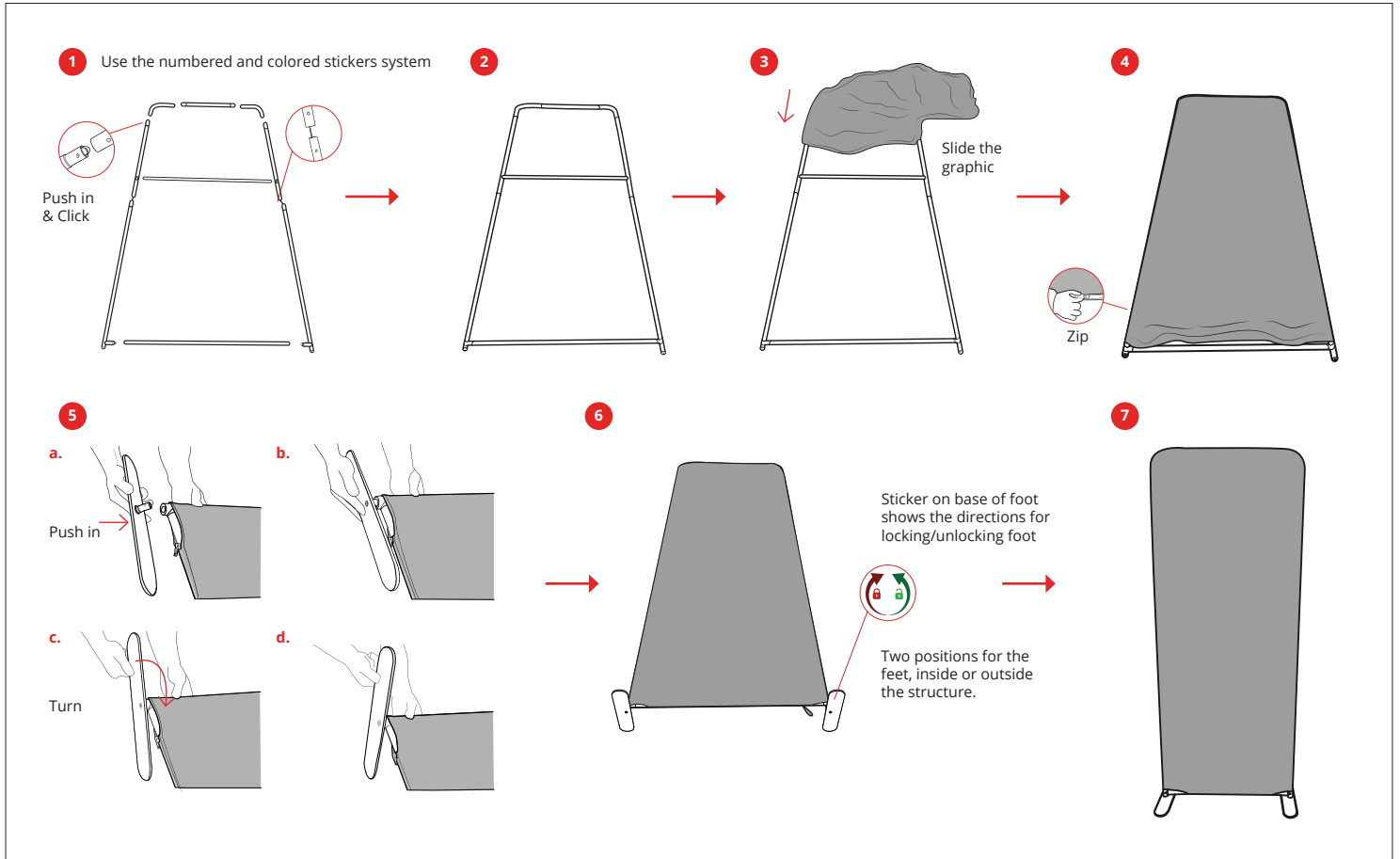
MOD-S-820



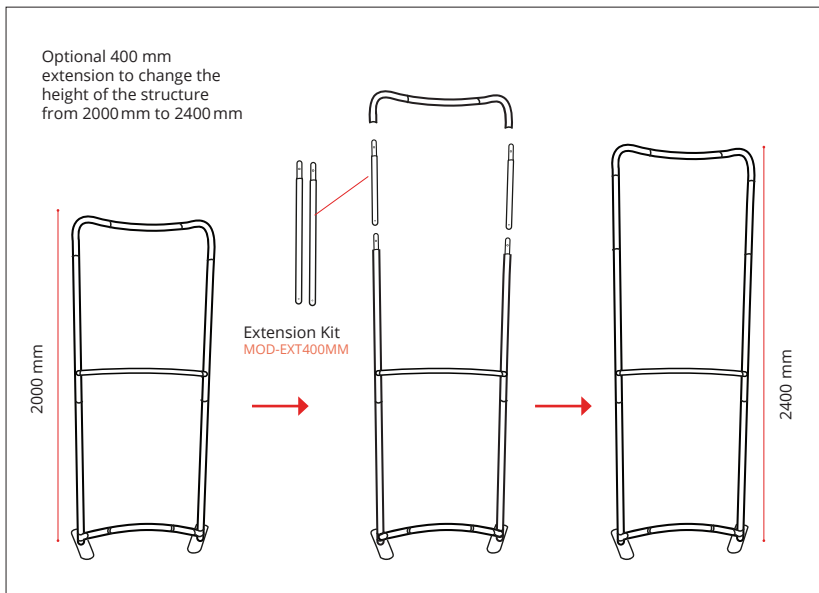
ELEMENTS



ASSEMBLY



EXTENSION KIT (OPTIONAL) 2000 MM → 2400 MM



CONNECTING MULTIPLE FRAMES

Remove one foot from second frame and align both frames on one foot

