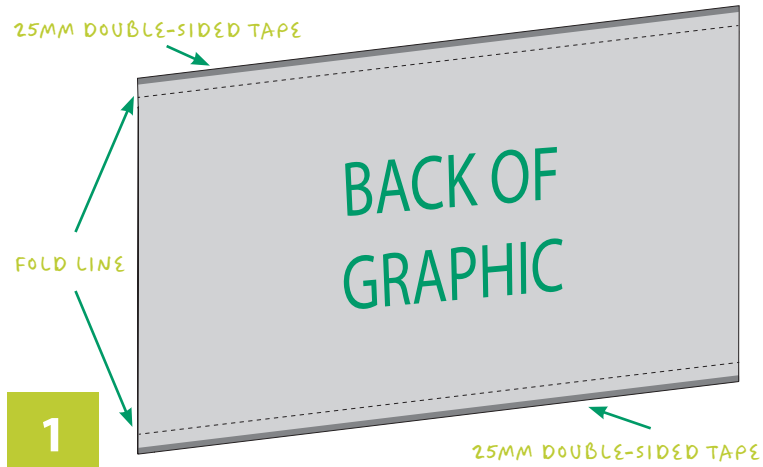
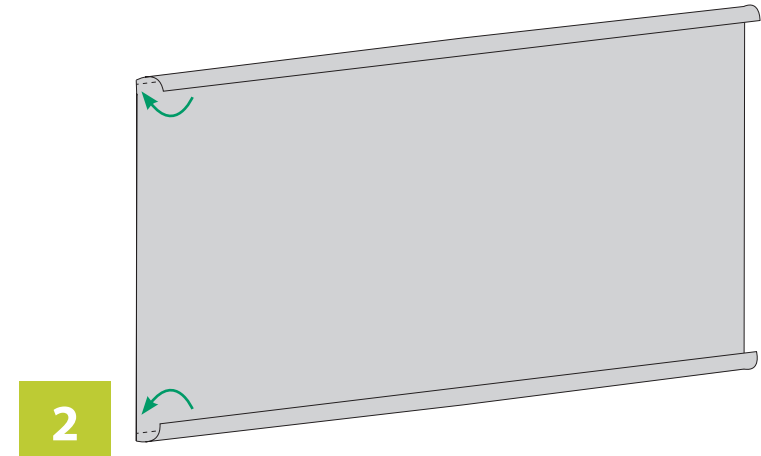


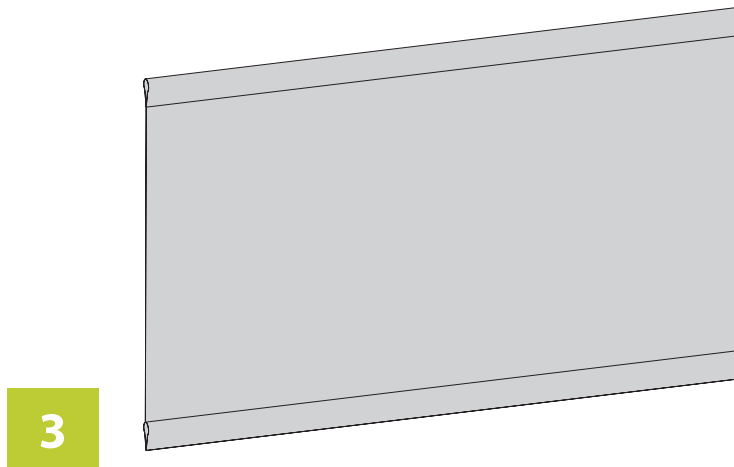
ATTACH A GRAPHIC TO THE PRIMO WRAP CROSS ARMS



Apply 25mm double-sided tape to rear top and bottom edges of graphic.



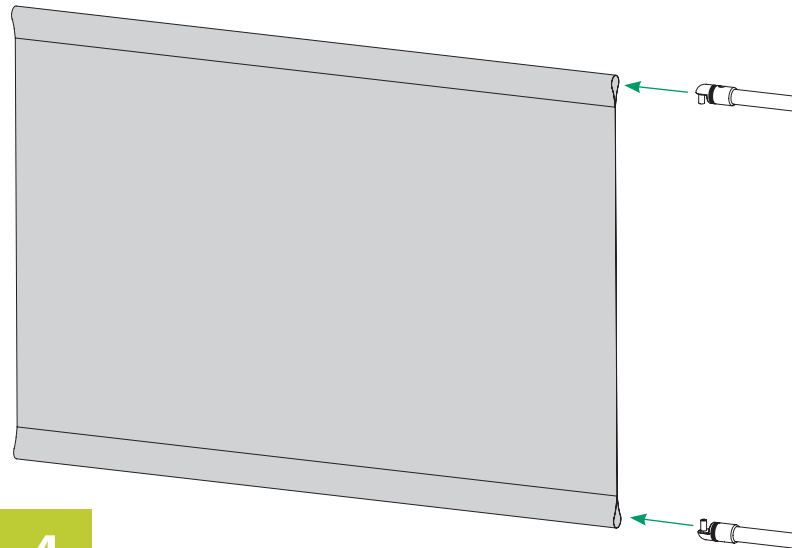
Fold graphic to create two pole pockets with a 75mm internal height.



IMPORTANT NOTE:
 THE ABOVE METHOD SHOWS HOW TO CREATE A POLE POCKET USING DOUBLE-SIDED TAPE. HOWEVER OTHER METHODS OF CREATING A POLE POCKET CAN BE USED.

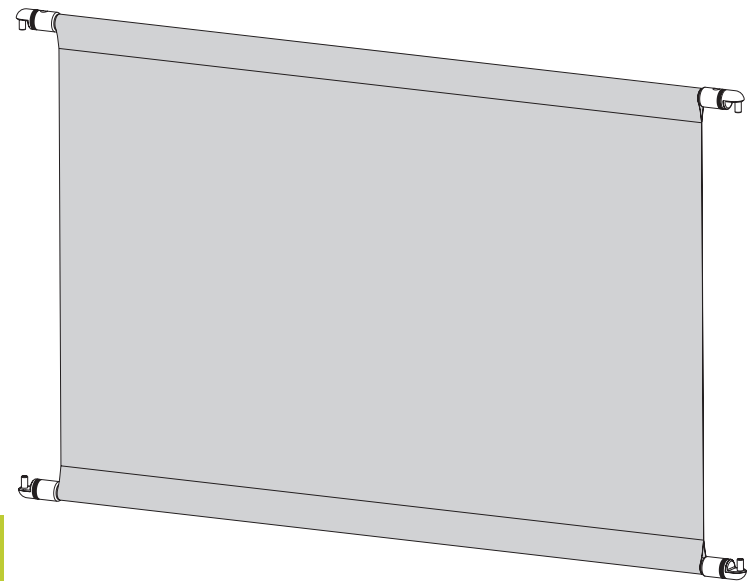


ATTACH A GRAPHIC TO THE PRIMO WRAP CROSS ARMS



4

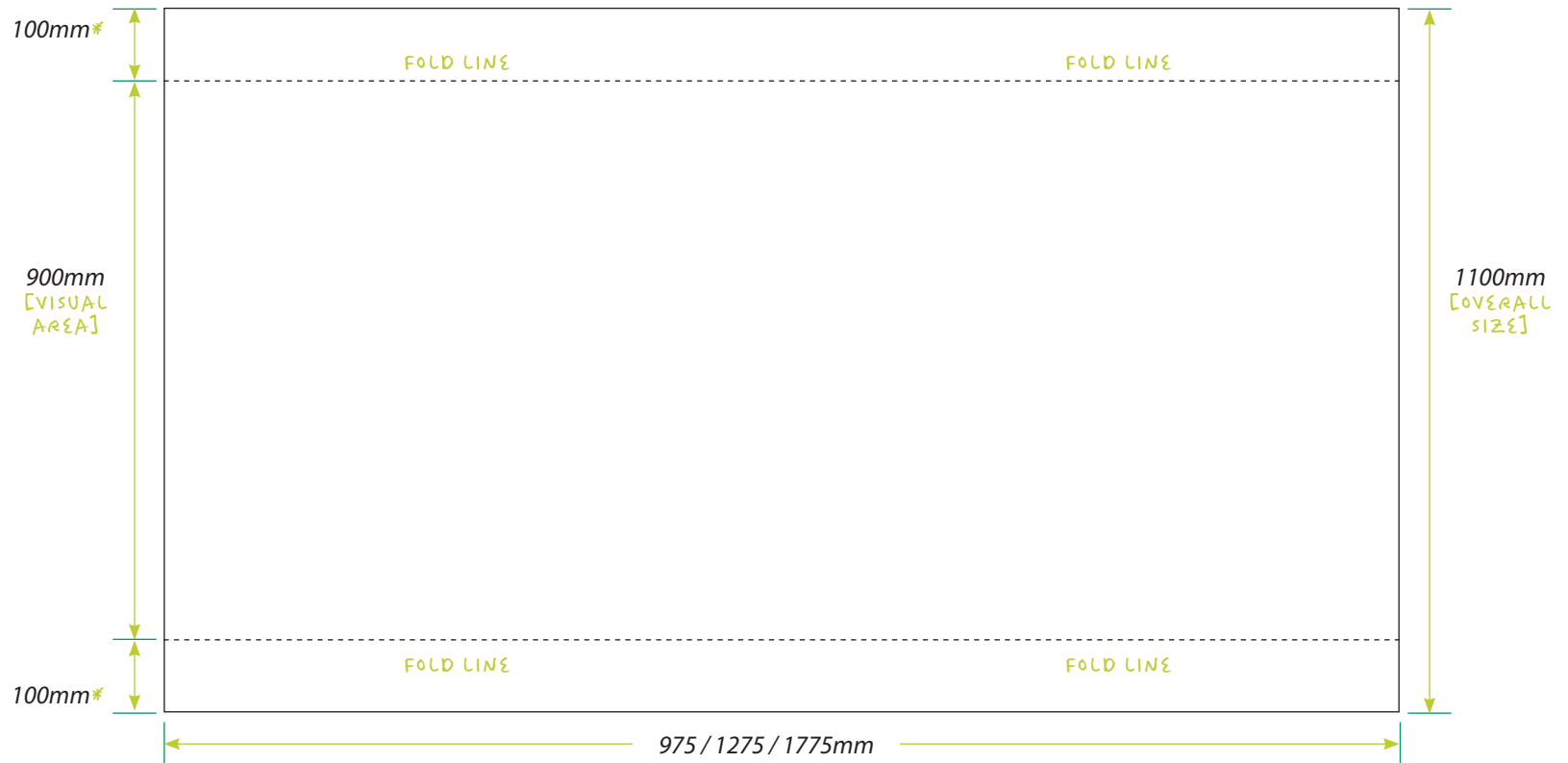
Slide cross arm into pole pockets.



5



PRIMO WRAP CAFÉ BANNER GRAPHIC PANEL SIZES



* A SIZE OF 100MM ALLOWS FOR 25MM WIDE DOUBLE-SIDED SELF-ADHESIVE TAPE TO BE USED TO FINISH THE POLE POCKET. IF OTHER WIDTHS OF DOUBLE-SIDED TAPE, OR IF OTHER METHODS OF FINISHING THE POLE POCKET ARE USED, PLEASE ADJUST THE SIZE OF THE POLE POCKET ACCORDINGLY.