

PRIMO WRAP CAFÉ BARRIER – ASSEMBLY INSTRUCTIONS

SPECIFICATIONS

GRAPHIC PANEL SIZES

Finished graphic panel size

1100mm x 1775 / 1275 / 975mm
 [Please note – 100mm of graphic is folded over to create pole pocket at both ends]

Visual graphic area

900mm x 1775 / 1275 / 975mm

Graphic panel thickness

500 micron

WEIGHTS AND DIMENSIONS

Assembled size

Post and base: 1020 [h] x 370mm [diameter]
 Base height: 30mm
 Centre of post to centre of post: 2000mm / 1500mm / 1200mm
 Height to top of upper cross bar: 955mm
 Height to bottom of lower cross bar: 100mm

Boxed size

Post [box 1]: 1040 [h] x 115 [w] x 115 [d] mm
 Post [box 2]: 375 [h] x 360 [w] x 45 [d] mm
 2000mm cross bar:
 1985 [h] x 100 [w] x 50 [d] mm
 1500mm cross bar:
 1485 [h] x 100 [w] x 50 [d] mm
 1200mm cross bar:
 1185 [h] x 100 [w] x 50 [d] mm

Boxed weight

Post: 18.0kg [combined weight of box 1 and 2]
 2000mm cross bar: 2.50kg
 1500mm cross bar: 1.90kg
 1200mm cross bar: 1.50kg

COMPONENT LIST

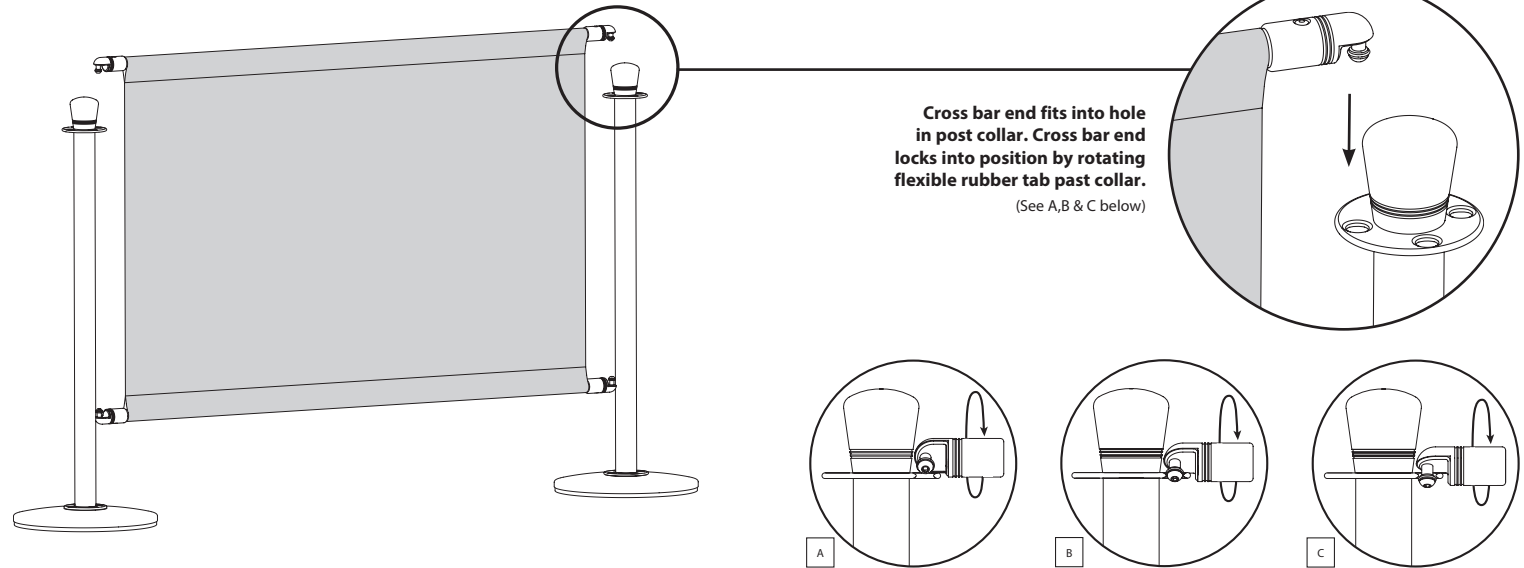
2 x Cross bar
 2 x Assembled post [supplied separately]
 2 x Base inc. cover [supplied separately]

UK Patent Application
 No.: 0920341.5

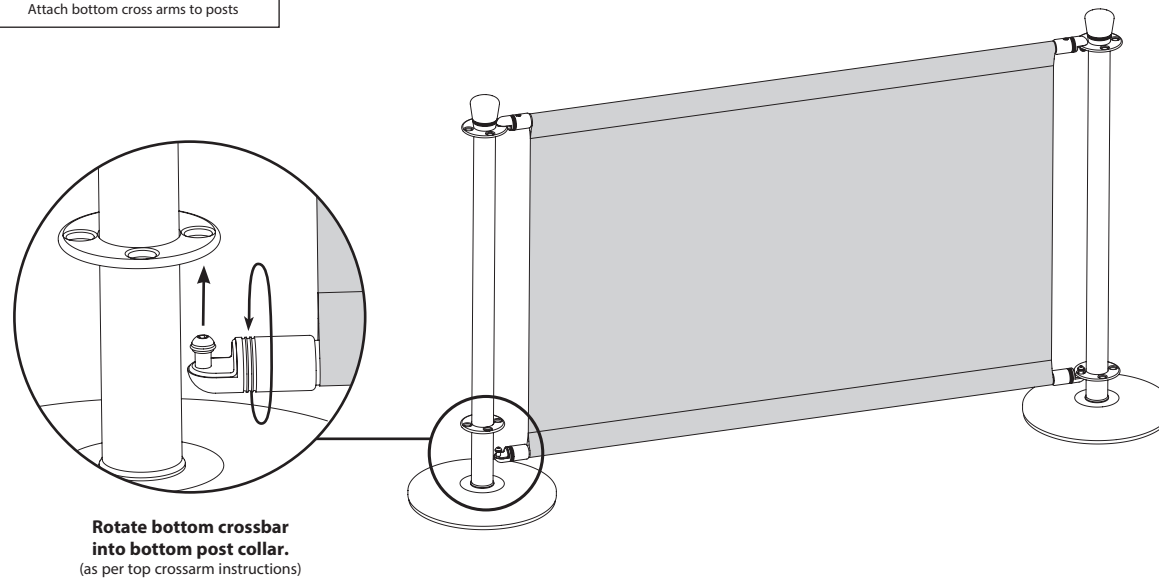
plex®

Issue 5 - June 2018

1 Attach top cross arms to posts



2 Attach bottom cross arms to posts



SPECIFICATIONS

GRAPHIC PANEL SIZES

Finished graphic panel size

1100mm x 1775 / 1275 / 975mm
[Please note – 100mm of graphic is folded over to create pole pocket at both ends]

Visual graphic area

900mm x 1775 / 1275 / 975mm

Graphic panel thickness

500 micron

WEIGHTS AND DIMENSIONS

Assembled size

Post and base: 1020 [h] x 370mm [diameter]
Base height: 30mm
Centre of post to centre of post: 2000mm /
1500mm / 1200mm
Height to top of upper cross bar: 955mm
Height to bottom of lower cross bar: 100mm

Boxed size

Post [box 1]: 1040 [h] x 115 [w] x 115 [d] mm
Post [box 2]: 375 [h] x 360 [w] x 45 [d] mm
2000mm cross bar:
1985 [h] x 100 [w] x 50 [d] mm
1500mm cross bar:
1485 [h] x 100 [w] x 50 [d] mm
1200mm cross bar:
1185 [h] x 100 [w] x 50 [d] mm

Boxed weight

Post: 18.0kg [combined weight of box 1 and 2]
2000mm cross bar: 2.50kg
1500mm cross bar: 1.90kg
1200mm cross bar: 1.50kg

COMPONENT LIST

2 x Cross bar
2 x Assembled post [supplied separately]
2 x Base inc. cover [supplied separately]

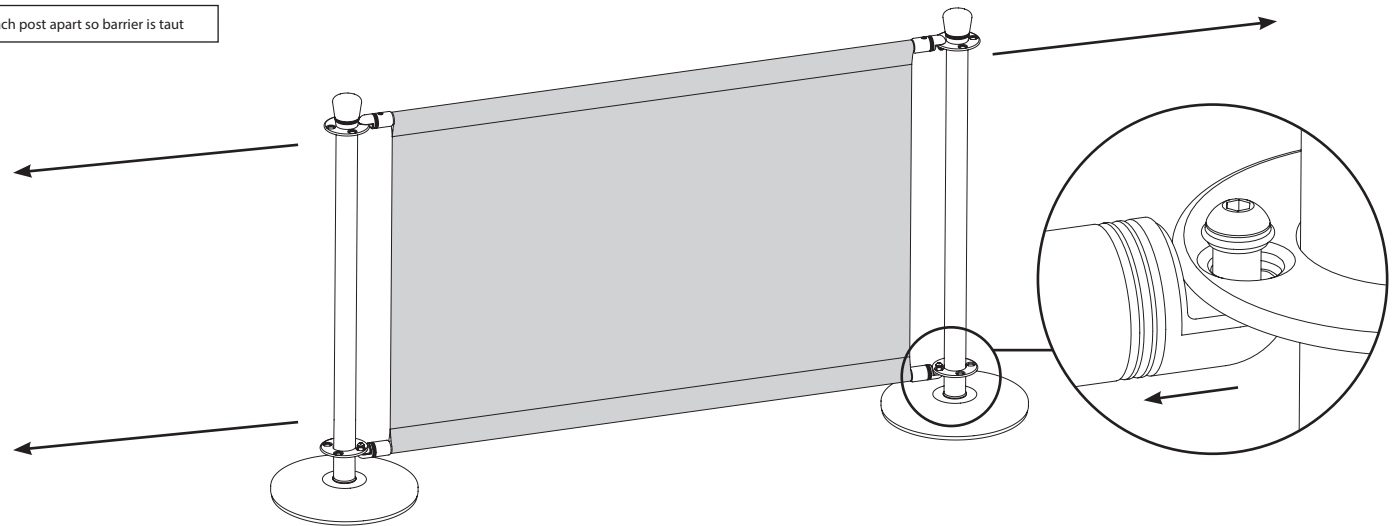
UK Patent Application
No.: 0920341.5

plex®

Issue 5 - June 2018

PRIMO WRAP CAFÉ BARRIER – ASSEMBLY INSTRUCTIONS

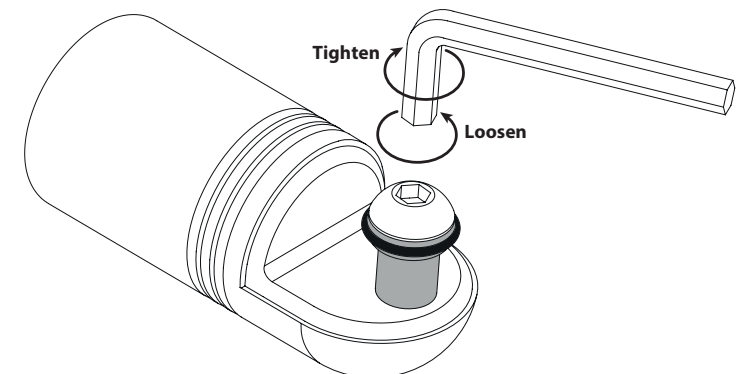
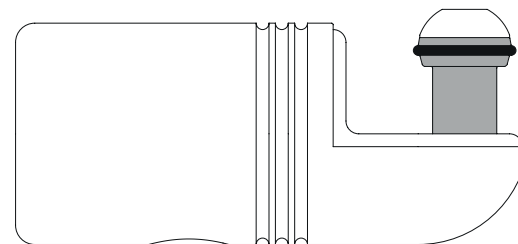
3 Pull each post apart so barrier is taut



Disassembling is the reverse of this procedure, remembering to always rotate crossarm ends out of their collar holes.

PLEASE NOTE

For easy and prolonged use grey parts are designed to rotate freely.
If components are too tight or too loose, please use provided Hex Key to adjust as necessary.



SPECIFICATIONS

GRAPHIC PANEL SIZES

Finished graphic panel size

1100mm x 1775 / 1275 / 975mm

[Please note – 100mm of graphic is folded over to create pole pocket at both ends]

Visual graphic area

900mm x 1775 / 1275 / 975mm

Graphic panel thickness

500 micron

WEIGHTS AND DIMENSIONS

Assembled size

Post and base: 1020 [h] x 370mm [diameter]

Base height: 30mm

Centre of post to centre of post: 2000mm / 1500mm / 1200mm

Height to top of upper cross bar: 955mm

Height to bottom of lower cross bar: 100mm

Boxed size

Post [box 1]: 1040 [h] x 115 [w] x 115 [d] mm

Post [box 2]: 375 [h] x 360 [w] x 45 [d] mm

2000mm cross bar:

1985 [h] x 100 [w] x 50 [d] mm

1500mm cross bar:

1485 [h] x 100 [w] x 50 [d] mm

1200mm cross bar:

1185 [h] x 100 [w] x 50 [d] mm

Boxed weight

Post: 18.0kg [combined weight of box 1 and 2]

2000mm cross bar: 2.50kg

1500mm cross bar: 1.90kg

1200mm cross bar: 1.50kg

COMPONENT LIST

2 x Cross bar

2 x Assembled post [supplied separately]

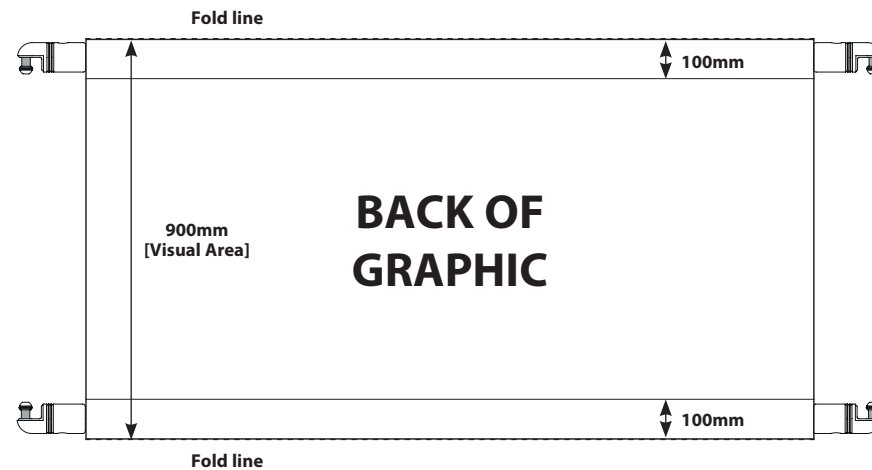
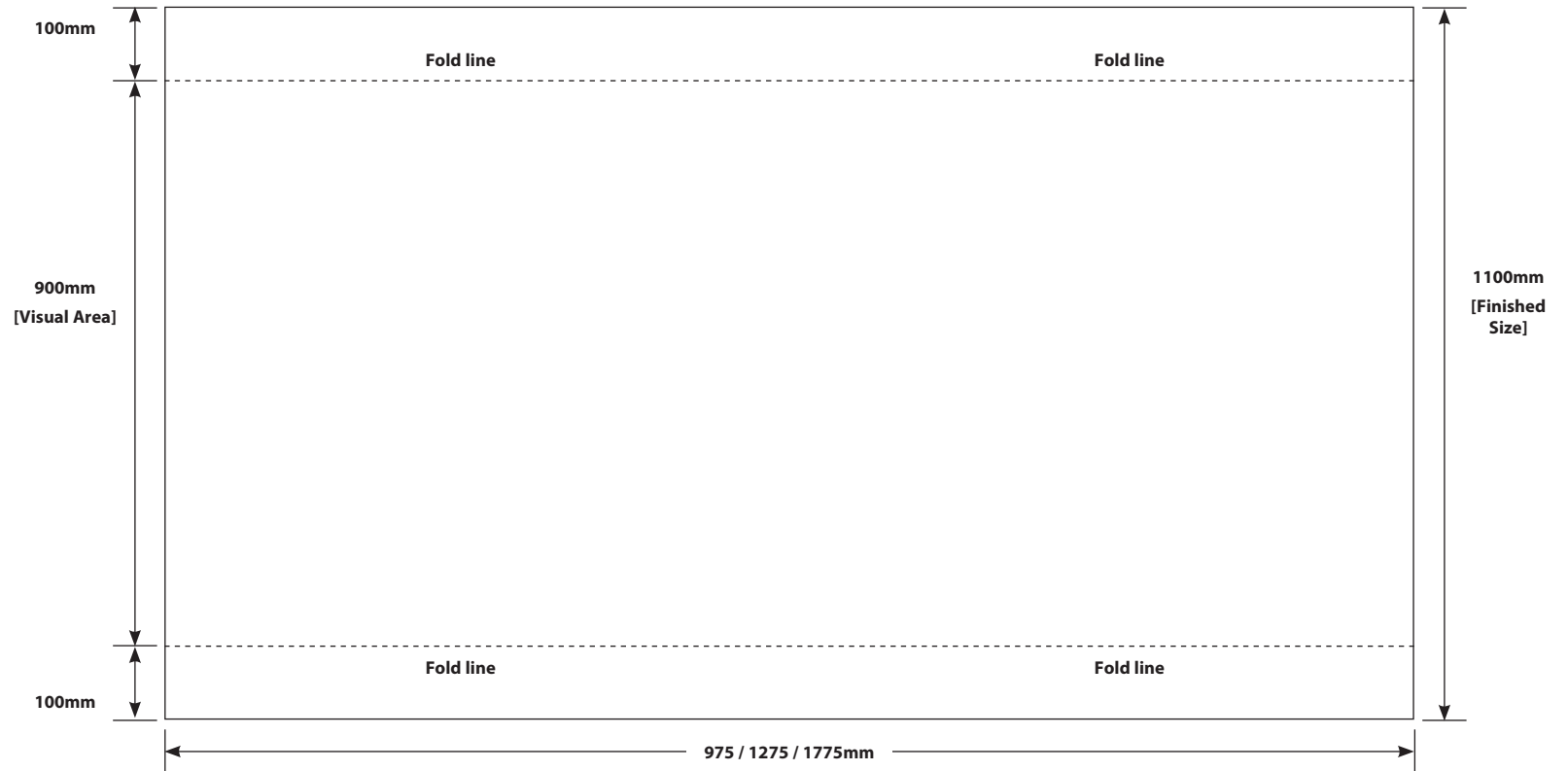
2 x Base inc. cover [supplied separately]

UK Patent Application
No.: 0920341.5

plex®

Issue 5 - June 2018

PRIMO WRAP CAFÉ BARRIER – GRAPHIC PANEL SIZES



SPECIFICATIONS

GRAPHIC PANEL SIZES

Finished graphic panel size

1100mm x 1775 / 1275 / 975mm
[Please note – 100mm of graphic is folded over to create pole pocket at both ends]

Visual graphic area

900mm x 1775 / 1275 / 975mm

Graphic panel thickness

500 micron

WEIGHTS AND DIMENSIONS

Assembled size

Post and base: 1020 [h] x 370mm [diameter]
Base height: 30mm
Centre of post to centre of post: 2000mm /
1500mm / 1200mm
Height to top of upper cross bar: 955mm
Height to bottom of lower cross bar: 100mm

Boxed size

Post [box 1]: 1040 [h] x 115 [w] x 115 [d] mm
Post [box 2]: 375 [h] x 360 [w] x 45 [d] mm
2000mm cross bar:
1985 [h] x 100 [w] x 50 [d] mm
1500mm cross bar:
1485 [h] x 100 [w] x 50 [d] mm
1200mm cross bar:
1185 [h] x 100 [w] x 50 [d] mm

Boxed weight

Post: 18.0kg [combined weight of box 1 and 2]
2000mm cross bar: 2.50kg
1500mm cross bar: 1.90kg
1200mm cross bar: 1.50kg

COMPONENT LIST

2 x Cross bar
2 x Assembled post [supplied separately]
2 x Base inc. cover [supplied separately]

UK Patent Application
No.: 0920341.5

plex®

Issue 5 - June 2018

PRIMO WRAP CAFÉ BARRIER – GRAPHIC ATTACHMENT INSTRUCTIONS

