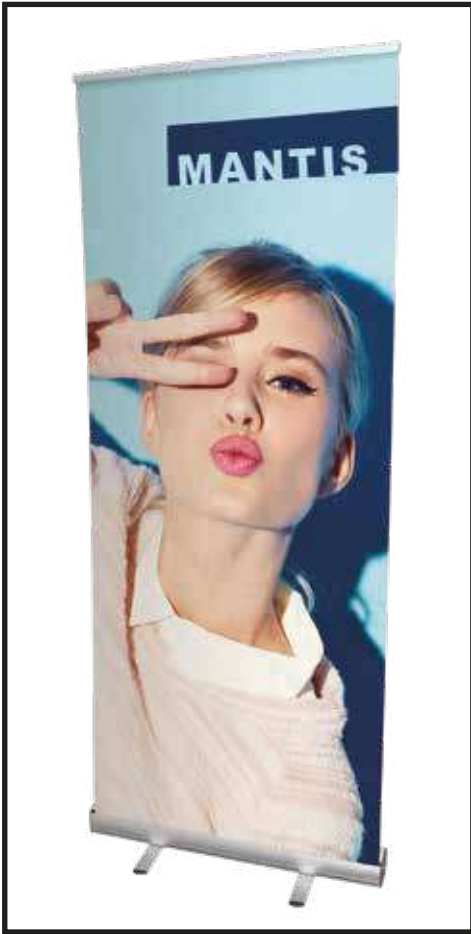
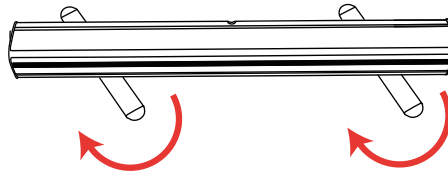


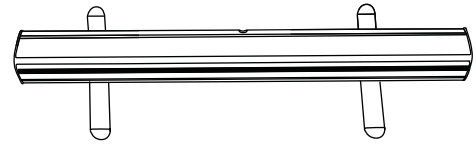
# Mantis (800mm to 1200mm Wide Banners)



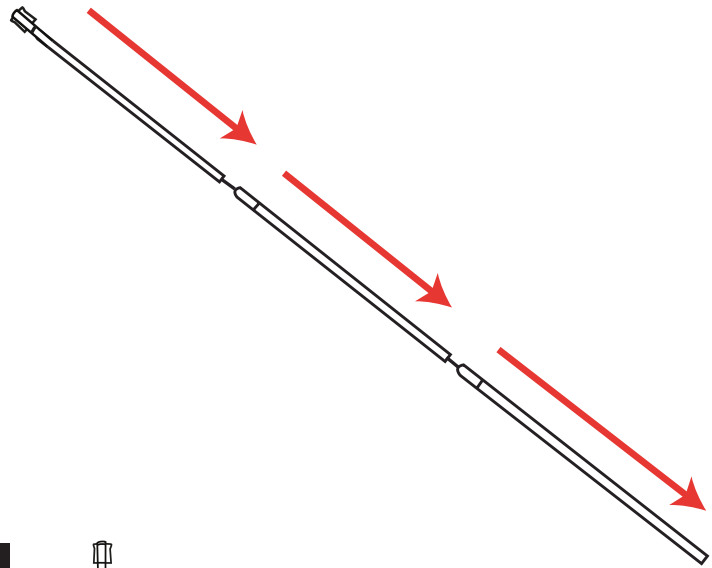
1



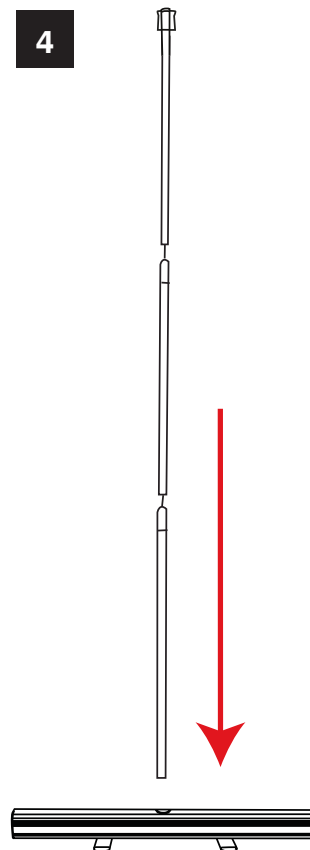
2



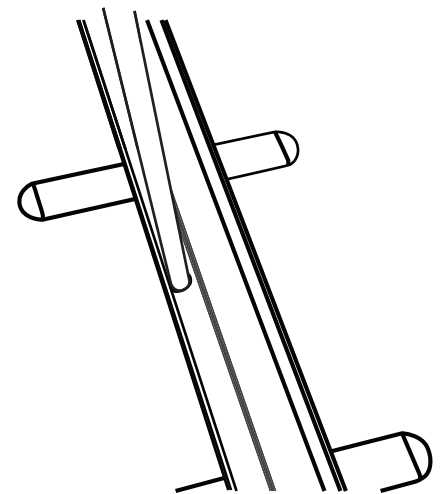
3




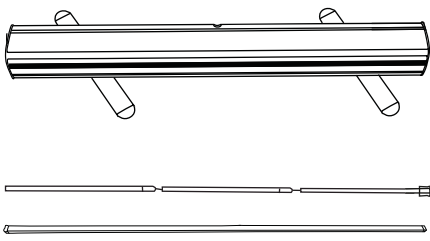
4



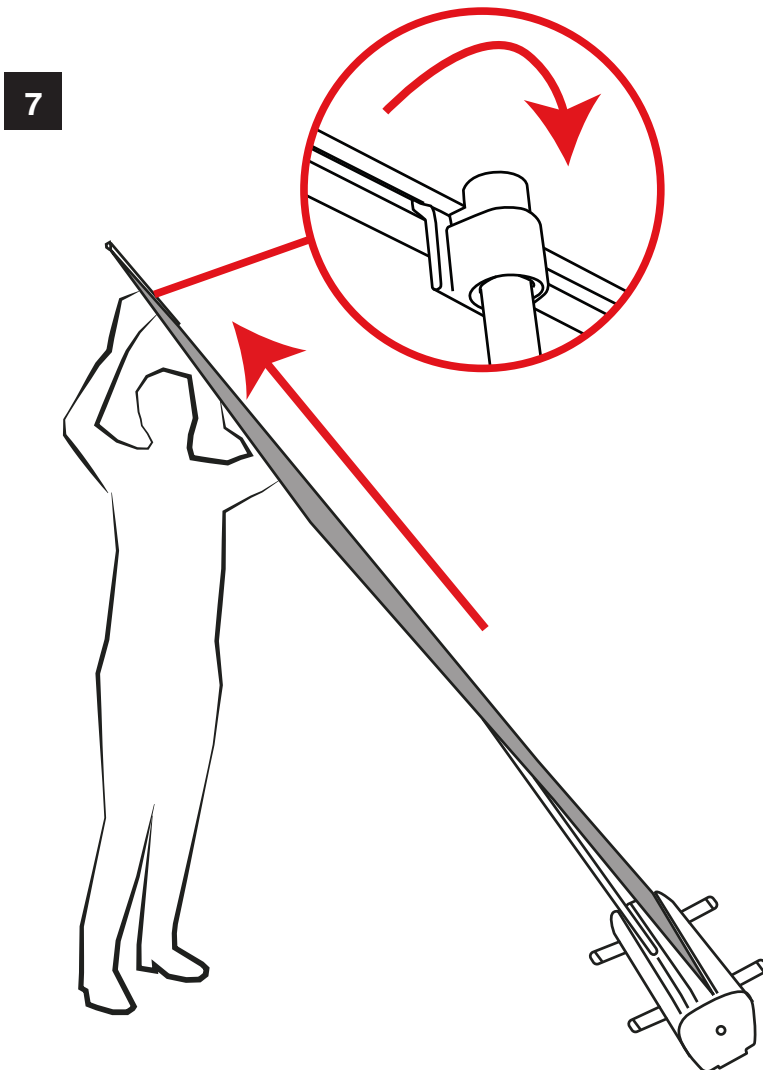
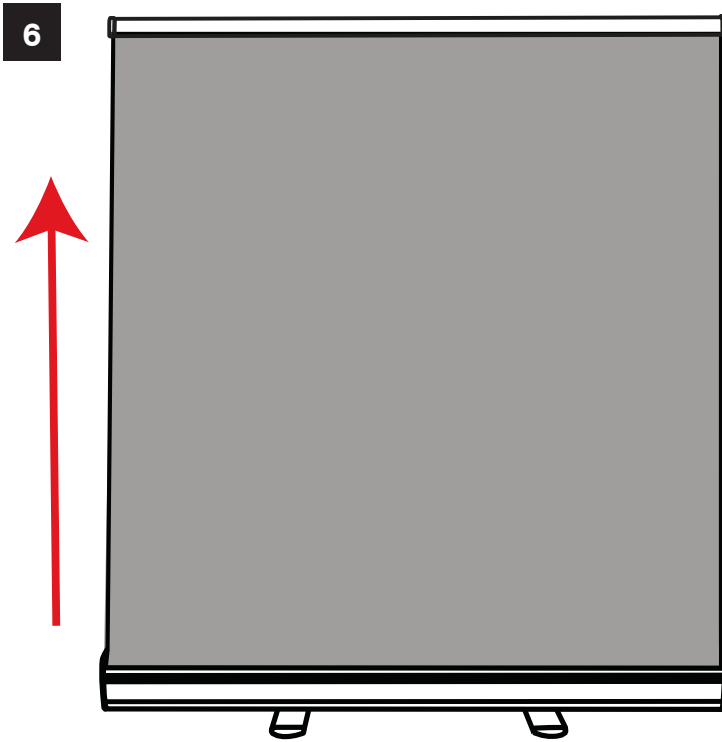
5



 **PARTS (NOT TO SCALE)**

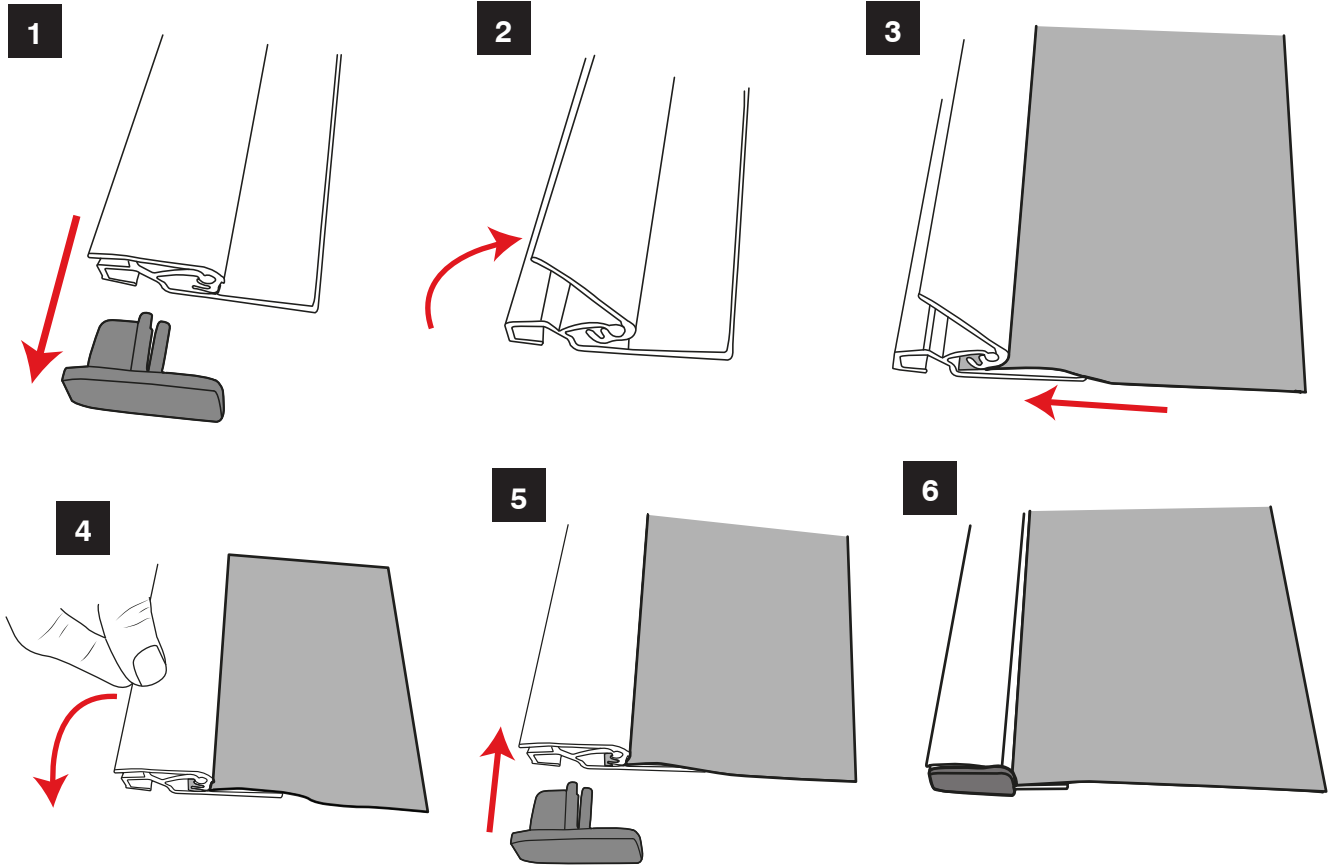


A diagram showing the components of the banner: the banner bar with feet, the telescopic pole, and two additional poles of different lengths.

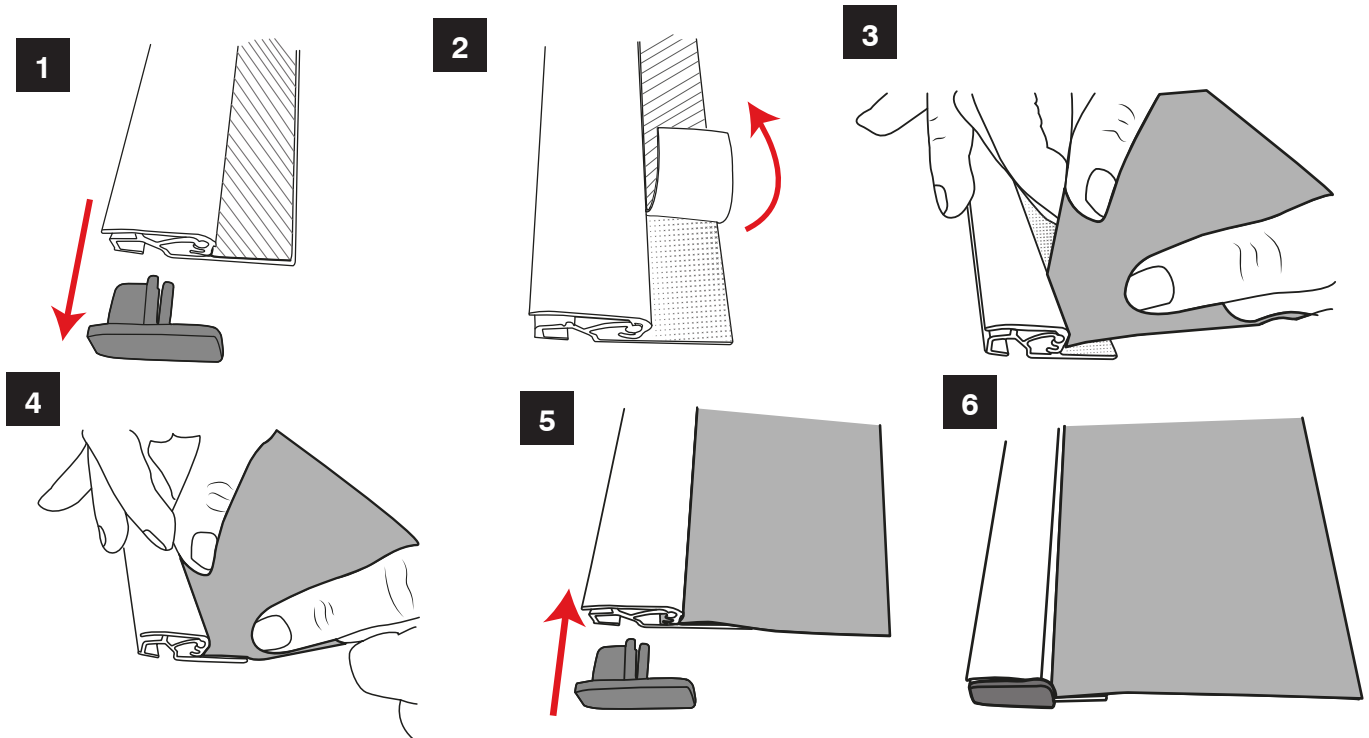




## Snap Rail

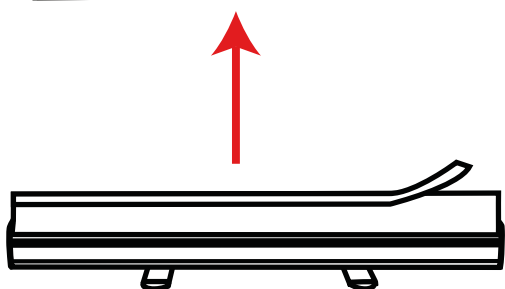


## Self Adhesive Rail

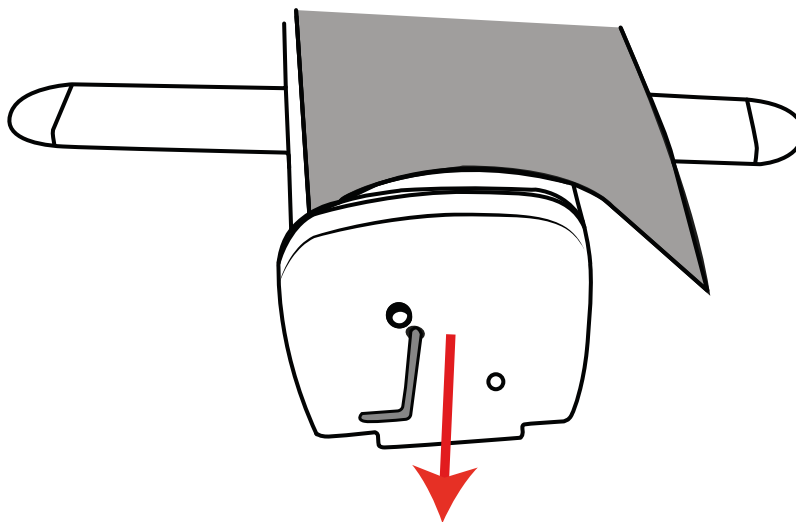




1



2



3

