

SPECIFICATIONS
GRAPHIC PANEL SIZE

Single = 650-800mm x 1200-2000mm
Double = 650-800mm x 1200-2000mm

GRAPHIC EYELETS

Eyelet position
25mm in from each corner
minimum eyelet size
Minimum internal diameter = 10mm

SYSTEM SIZE

assembled size
650-800mm(w) x 400(d) x 1350-2150(h)
mm

BOXED SIZE & WEIGHT

1170mm(L) x 410mm(W) x 215mm(D)
6.6kg

MOULDED BASE CAPACITY

18 Litres

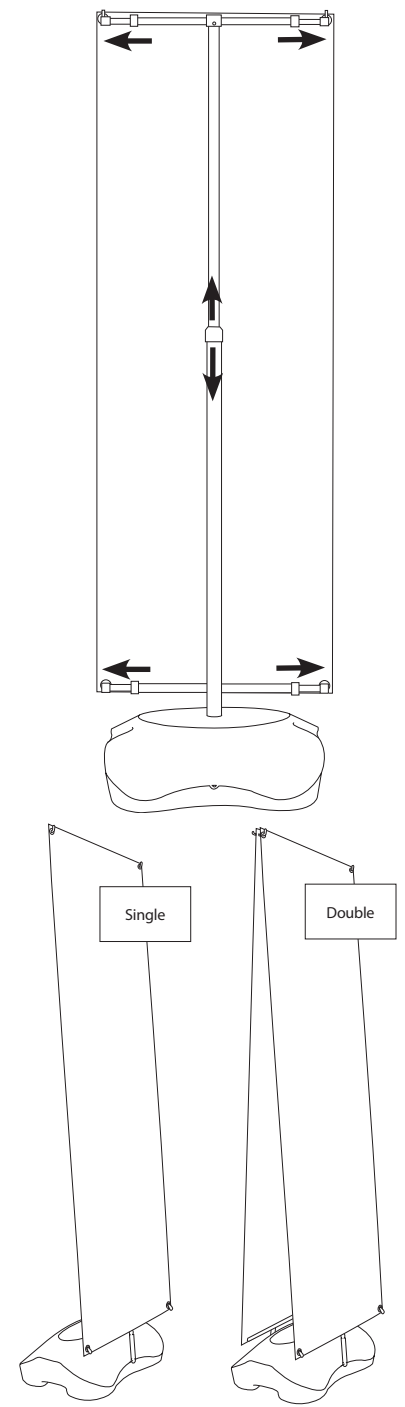
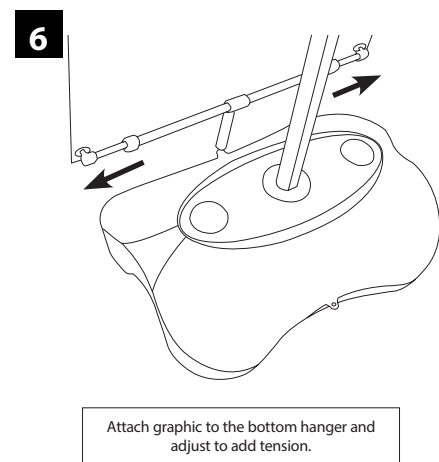
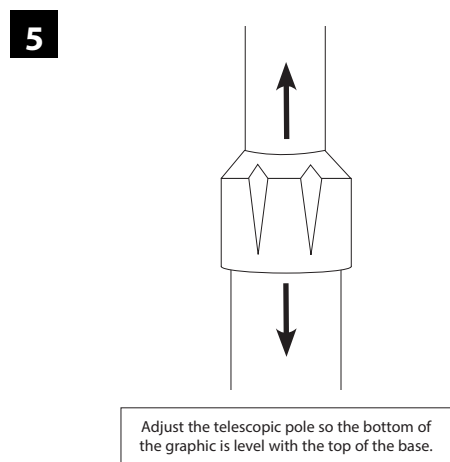
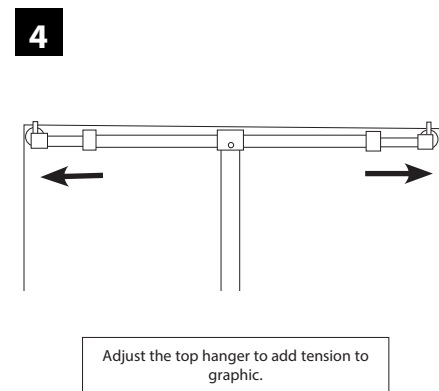
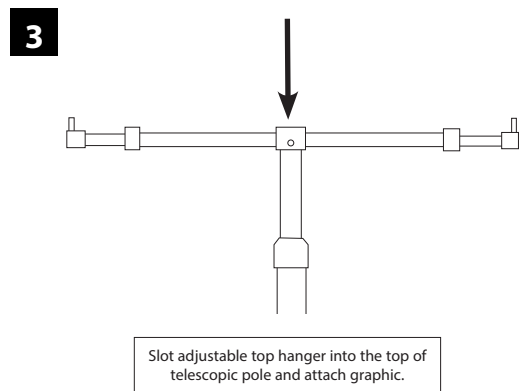
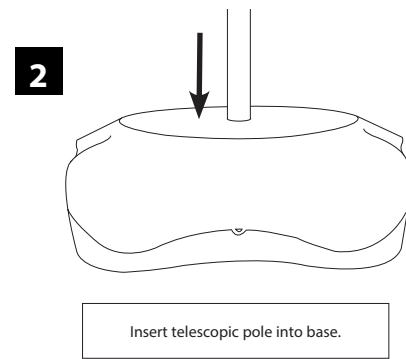
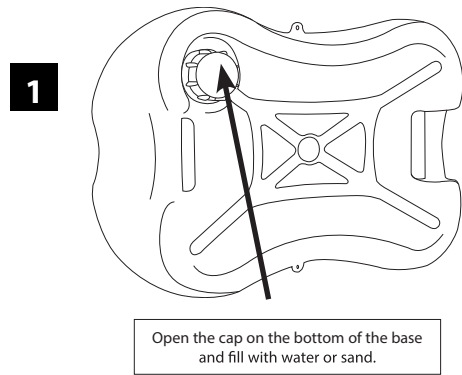
COMPONENT LIST

- Base
- Bottom hanger (x2)
- Top hanger
- Telescopic pole

OPTIONAL EXTRAS

- Polar carry bag set
- Polar water filled weighted base ring
- capacity of 10litres(10kg)

POLAR BANNER STAND
ASSEMBLY INSTRUCTIONS



Moulded base can be filled with either water or sand for extra stability. If the base is filled with water, ensure that precautions are taken to stop the water freezing as this may cause damage to the base.